

Tuscan Bases

Martin Richards Design™
COLLECTION

Standard or
Custom Sizes



www.imperialproductions.com 800-399-7585

Imperial Productions & Distribution Inc
email sales@imperialproductions.com

Toronto / New York

copyright 2016 MRDCI All Rights Reserved

Vol 8: Sept 18



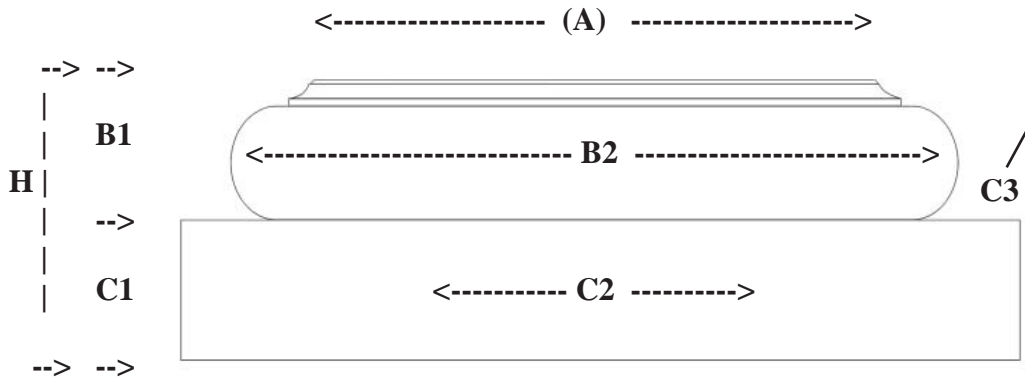
Custom Tuscan Base Made from Solid Hardwood

Martin Richards Design.
COLLECTION

A) Top Diameter _____ Quantity: _____
 B1) Round Height _____ B2) Round Diameter _____
 C1) Square Height _____ C2) SqWidth _____ C3) Sq Depth _____

Square with Bevel or No Bevel

H) Total Height of all parts: _____



Drawing 1: Tuscan Base Square No Bevel



Drawing 2: Tuscan Base Square with Bevel



Circle Hardwood
Interior Use

Paint Grade:

Basswood

Maple

AmPoplar

Stain Grade:

Sap Maple

Red Oak / White Oak

Alder

Cherry

Beech

Walnut

African Mahogany

Ash

Yellow Birch

Exterior Use

Knotty Pine

White Pine

Clear Pine

Western Red Cedar

White Oak

Company Name: _____

Contact: _____

Ship to Address: _____

Phone: _____

Fax: _____

Email: _____



www.imperialproductions.com 1-800-399-7585

Imperial Productions & Distribution Inc Toronto / New York

email sales@imperialproductions.com copyright 2016 MRDCI All Rights Reserved

Vol 8: Sept 2018



Custom Hollow Tuscan Base

Martin Richards Design.
COLLECTION

Made from 3 Non Wood Materials

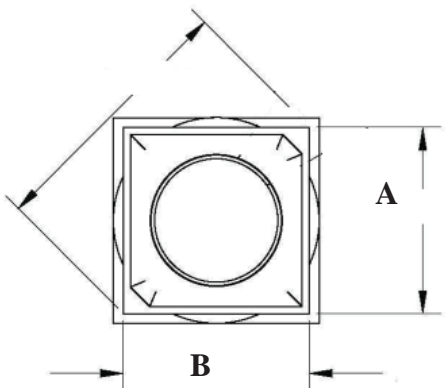


Replacements to Exact sizes

Circle Material: ArchPolymertm
GRG-NeoPlastertm
Zeamentm (GFRC)

How Many _____

From this... To This



A) Depth _____

B) Depth _____

C) Height of Round _____

D) Height of Square Plinth _____

D1) Depth _____ D2) Width _____

H) Hole Size _____ To Wrap: _____



Company Name: _____

Contact: _____

Ship to Address: _____

Phone: _____

Fax: _____

Email: _____



www.imperialproductions.com 1-800-399-7585

Imperial Productions & Distribution Inc Toronto / New York

email sales@imperialproductions.com copyright 2016 MRDCI All Rights Reserved

Vol 8: Sept 2018

Standard Tuscan Solid Bases made from Hardwood

Item #	Top Flat (A)	Square Base (D)	Total Height (H)	
IPWTB04	4-1/4" (10.7cm)	6-1/2" (16.51cm)	2-1/2" (6.3cm)	Click for Prices
IPWTB05	5-1/4" (13.9cm)	7-1/2" (19cm)	2-1/2" (6.3cm)	Click for Prices
IPWTB06	6-1/4" (15.8cm)	8-1/2" (21.5cm)	2-1/2" (6.3cm)	Click for Prices
IPWTB08	8-1/4" (20.9cm)	11" (27.9cm)	3-1/2" (8.8cm)	Click for Prices
IPWTB10	10-1/4" (26cm)	13" (33cm)	3-1/2" (8.8cm)	Click for Prices
IPWTB12	12-1/4" (31.1cm)	15" (38cm)	3-1/2" (8.8cm)	Click for Prices
IPWTB14	14-1/4" (36.1cm)	17" (43cm)	3-1/2" (8.8cm)	Click for Prices
IPWTB16	16-1/4" (41.2cm)	19" (48.2cm)	3-1/2" (8.8cm)	Click for Prices
IPWTB18	18-1/2" (4cm)	22" (55.8cm)	3-1/2" (8.8cm)	Click for Prices

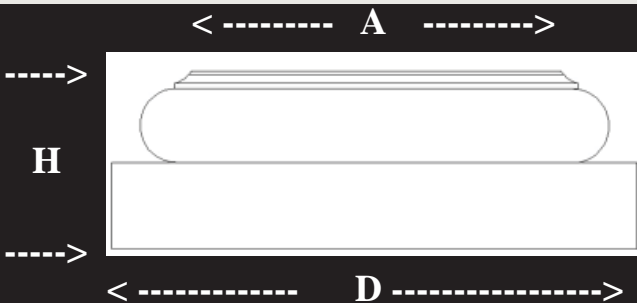


Standard Tuscan Solid Bases made from ArchPolymer™



Item #	Top Round	Square Base	Total Height	
IPTB525	8" (20.3)	11-3/4" (29.8cm)	2-7/8" (7.3cm)	Click for Prices
IPTB526	10" (25.4)	12-3/4" (32cm)	3-1/2" (8cm)	Click for Prices
IPTB527	12" (30.4)	15" (38cm)	3-1/2" (8cm)	Click for Prices
IPTB528	14" (35.5)	17" (43cm)	3-1/2" (8cm)	Click for Prices

Standard Tuscan Hollow Bases made from PolyComp™



PolyComp™
 Cuts for post wrap
 Rot, Insect Resistant
 Fiberglass, Hollow
 25% Polyester Resins
 70% Calcium Carbonate
 5% Marble Chips

Item#	A) Inside Hole	D) Square Plinth	H) Height	
IPPCTB06	6-1/4" (15.8cm)	8" (20.3cm)	3" (7.6cm)	Click for Prices
IPPCTB08NT	7-11/16" (19.5cm)	10" x 10" (25.4cm)	4-1/8" (10.4cm)	Click for Prices
IPPCTB08	7-11/16" (19.5cm)	10" (25.4cm)	4-1/8" (10.4cm)	Click for Prices
IPPCTB10NT	9-7/8" (25cm)	13-1/8" (33.3cm)	5-5/8" (14.2cm)	Click for Prices
IPPCTB10	9-7/8" (25cm)	13-1/8" (33.3cm)	5-5/8" (14.2cm)	Click for Prices
IPPCTB12NT	11-3/4" (29.8cm)	15-3/8" (39cm)	6-5/16" (16cm)	Click for Prices
IPPCTB12	11-3/4" (29.8cm)	15-3/8" (39cm)	6-5/16" (16cm)	Click for Prices
IPPCTB14NT	14-1/8" (35.8cm)	18-5/8" (47.3cm)	7-1/4" (18.4cm)	Click for Prices
IPPCTB14	14-1/8" (35.8cm)	18-5/8" (47.3cm)	7-1/4" (18.4cm)	Click for Prices
IPPCTB16	16-1/4" (41.2cm)	21-1/4" (53.9cm)	8-1/8" (20.6cm)	Click for Prices
IPPCTB18	18" (45.7cm)	24" (60.9cm)	9-1/4" (23.4cm)	Click for Prices
IPPCTB20	20-1/8" (51.1cm)	26-1/2" (67.3cm)	11" (27.9cm)	Click for Prices
IPPCTB24	24" (10.8cm)	32-1/4" (81.9cm)	13-1/2" (34.29cm)	Click for Prices



* Note: you will lose the thickness of the blade when cutting to wrap an existing column

All prices & specifications subject to change without notice, Final products & Measurements may vary from this brochure



www.imperialproductions.com 800-399-7585

Imperial Productions & Distribution Inc
 email sales@imperialproductions.com

Toronto / New York

copyright 2016 MRDCI All Rights Reserved

Vol 8: Sept 2018

Standard Tuscan Hollow Bases made from ArchPolymer™



Made from Molds, Hollow, No Customization
Cuts like wood for post wrap
Rot, Insect Resistant
Primed White Ready to Paint

Base #	A) Inside Hole	D) Square	H) Height	
IPTB107	6" (15.24cm)	8-5/8" x 8-5/8" (21.9cm)	4-3/8" (11.1cm)	Click for Prices
IPTB301	6-1/4" (15.8cm)	9-1/2" x 9-1/2" (24cm)	4-3/4" (12cm)	Click for Prices
IPMRD0600	6-1/2" (16.5cm)	9-1/2" x 9-1/2" (24.1cm)	3" (16.8cm)	Click for Prices
IPTB502	7-3/4" (19.6cm)	10-5/8" x 10-5/8" (26.9cm)	3-1/4" (8.2cm)	Click for Prices
IPTB501	8-1/4" (20.9cm)	11" x 11" (27.9cm)	3-1/4" (8.2cm)	Click for Prices
IPTB300	8-1/4" (20.9cm)	11-1/2" x 11-1/2" (29cm)	5-1/4" (13.3cm)	Click for Prices
IPMRD0601	8-5/8" (21.9cm)	12-1/2" x 12-1/2" (31.7cm)	4" (10.1cm)	Click for Prices
IPTB504	8-3/4" (22cm)	11-5/8" x 11-5/8" (29.5cm)	3-1/4" (8.2cm)	Click for Prices
IPTB509	9-3/4" (24.7cm)	13" x 13" (33cm)	3-1/4" (8.2cm)	Click for Prices
IPTB530	9-3/4" (24.7cm)	13" x 13" (33cm)	4-1/2" (11.4cm)	Click for Prices
IPTB503	10-1/8" (25.7cm)	13" x 13" (33cm)	3-1/4" (8.2cm)	Click for Prices
IPTB302	10-1/4" (26cm)	13-3/4" x 13-3/4" (34.9cm)	5-3/4" (14.6cm)	Click for Prices
IPMRD0602	10-3/4" (27.3cm)	15" x 15" (38.1cm)	4-1/2" (11.4cm)	Click for Prices
IPTB512	11-7/8" (30.1cm)	17" x 17" (43.1cm)	4-7/16" (11.2cm)	Click for Prices
IPTB506	12-1/8" (30.7cm)	15" x 15" (38.1cm)	3-1/4" (8.2cm)	Click for Prices
IPTB505	12" (30.4cm)	15" x 15" (38.1cm)	3-1/4" (8.2cm)	Click for Prices
IPTB303	12-1/4" (31cm)	15-3/4" x 15-3/4" (40cm)	6-1/4" (15.8cm)	Click for Prices
IPMRD0603	12-5/8" (32cm)	17-1/8" x 17-1/8" (43.1cm)	5" (12.7cm)	Click for Prices
IPTB531	14-1/16" (36.7cm)	18" x 18" (33 x 33cm)	6-1/16" (11.4cm)	Click for Prices
IPTB507	14-3/16" (36cm)	17-1/16" x 17-1/16" (43.3cm)	3-1/4" (8.2cm)	Click for Prices
IPTB304	14-1/4" (36.1cm)	18-3/4" x 18-3/4" (47.6cm)	6-3/4" (17cm)	Click for Prices
IPTB305	16-1/4" (41.2cm)	20-3/4" x 20-3/4" (52.7cm)	7-1/4" (18.4cm)	Click for Prices

Standard Tuscan Hollow Bases made from EconPolymer™

Base #	A) Inside Hole	D) Square	H) Height	
IPTB6	6-1/4" (15.8cm)	8-7/8" x 8-7/8" (22.5cm)	3" (7.6cm)	Click for Prices
IPTB8	Fits 7-5/8" (19.3cm)	10-1/4" x 10-1/4" (26cm)	4" (10cm)	Click for Prices
IPTB10	9-5/8" (24.4cm)	13" x 13" (33cm)	5" (12.7cm)	Click for Prices
IPTB12	Fits 11-5/8" (29.5cm)	16-1/2" x 16-1/2" (41.9cm)	6" (15.2cm)	Click for Prices
IPTB14	Fits 13-3/4" (34.9cm)	18-5/8" x 18-5/8" (47.3cm)	7-3/4" (19.6cm)	Click for Prices
IPTB16	16-1/4" (41.2cm)	19-9/16" x 19-9/16" (49.7cm)	8-5/16" (21.1cm)	Click for Prices
IPTB18	Fits 17-1/2" (44.4cm)	24-1/8" x 24-1/8" (61.2cm)	10-1/8" (25.7cm)	Click for Prices
IPTB20	Fits 19-1/2" (49.5cm)	27" x 27" (68.5cm)	10-3/4" (27.3cm)	Click for Prices
IPTB22	21-1/2" (54.6cm)	29-3/4" x 29-3/4" (75.5cm)	12-1/8" (30.7cm)	Click for Prices
IPTB24	Fits 23-1/2" (59.6cm)	32-1/4" x 32-1/4" (81.9cm)	13-1/2" (34.2cm)	Click for Prices
IPTB30	Fits 30" (76.2cm)	40-1/2" x 40-1/2" (102.8cm)	16-1/2" (41.9cm)	Click for Prices
IPTB36	Fits 36" (91.4cm)	48-3/4" x 48-3/4" (123.8cm)	20-1/8" (51.1cm)	Click for Prices

* Note: you will lose the thickness of the blade when cutting to wrap an existing column

All prices & specifications subject to change without notice, Final products & Measurements may vary from this brochure



www.imperialproductions.com 800-399-7585

Imperial Productions & Distribution Inc
email sales@imperialproductions.com

Toronto / New York

copyright 2016 MRDCI All Rights Reserved

Vol 8: Sept 18

Standard Load Bearing Plugs for Hollow Bases

PLUGS FOR HOLLOW TUSCAN BASES

Item #	for Base	Diameter x Height
IPPLUG100	IPTB107	5-3/4" x 4-3/8"
IPPLUG101	IPTB500	5-3/4" x 3-1/4"
IPPLUG102	IPPCTB06	6" x 3"
IPPLUG103	IPMRD0600	6-1/4" x 3"
IPPLUG104	IPTB109	7-1/4" x 4-3/8"
IPPLUG105	IPPCTB08NT	7-3/8" x 4-1/8"
IPPLUG106	IPPCTB08	7-7/16" x 4-1/8"
IPPLUG108	IPTB502	7-1/2" x 3-1/4"
IPPLUG110	IPTB501	8" x 3-1/4"
IPPLUG111	IPTB100	8-1/8" x 4-3/8"
IPPLUG113	IPTB104	8-1/4" x 4-1/4"
IPPLUG114	IPMRD0601	8-3/8" x 4"
IPPLUG115	IPTB101	9-3/8" x 5-1/4"
IPPLUG116	IPTB112	9-3/8" x 4-1/16"
IPPLUG117	IPPCTB10NT	9-3/8" x 5-5/8"
IPPLUG120	IPTB504	9-1/2" x 3-1/4"
IPPLUG121	IPTB105	9-9/16" x 4-3/8"
IPPLUG122	IPPCTB10	9-5/8" x 5-5/8"
IPPLUG123	IPTB503	9-7/8" x 3-1/4"
IPPLUG125	IPTB506	10-1/4" x 3-1/4"
IPPLUG126	IPMRD0602	10-1/2" x 4-1/2"
IPPLUG130	IPPCTB12NT	11-1/2" x 6-5/16"
IPPLUG131	IPPCTB12	11-1/2" x 6-5/16"
IPPLUG133	IPTB102	11-3/4" x 6-3/8"
IPPLUG134	IPTB106	11-3/4" x 6-3/16"
IPPLUG136	IPTB505	12-1/4" x 3-1/4"
IPPLUG137	IPMRD0603	12-3/8" x 5"
IPPLUG138	IPPCTB14NT	13-1/2" x 7-1/4"
IPPLUG139	IPTB103	13-3/4" x 6"
IPPLUG140	IPPCTB14	13-7/8" x 7-1/4"
IPPLUG141	IPTB507	13-15/16" x 3-1/4"
IPPLUG143	IPTB113	14-3/4" x 7-13/16"
IPPLUG146	IPPCTB16NT	15-1/2" x 8-1/8"
IPPLUG148	IPPCTB16	16" x 8-1/8"
IPPLUG149	IPPCTB18NT	17-3/8" x 8-1/8"
IPPLUG151	IPTB114	18" x 9-1/2"
IPPLUG152	IPTB116	18-1/4" x 9"
IPPLUG153	IPPCTB20NT	19-5/8" x 7-1/4"
IPPLUG154	IPPCTB20	19-7/8" x 11"
IPPLUG155	IPTB111	20-1/2" x 9-1/8"
IPPLUG156	IPTB115	21" x 9-1/2"
IPPLUG157	IPTB118	21-1/4" x 9-3/8"
IPPLUG158	IPTB110	23-1/4" x 12-1/4"
IPPLUG159	IPPCTB24NT	23-5/8" x 7-1/4"
IPPLUG160	IPPCTB24	23-3/4" x 13-1/2"
IPPLUG161	IPTB108	25-3/4" x 7"
IPPLUG162	IPTB117	29-11/16" x 10"

Martin Richards Design..
COLLECTION

Made from Laminated Pressure Treated Wood



PLUGS FOR HOLLOW ATTIC BASES

Item #	for Base	Diameter x Height
IPPLUG107	IPATTC100	7-9/16" x 5-1/4"
IPPLUG109	IPPCAB08	7-1/2" x 4-5/8"
IPPLUG112	IPATTC120	8-1/16" x 4-3/8"
IPPLUG118	IPATTC101	9-1/2" x 6-1/4"
IPPLUG119	IPPCAB10	9-5/8" x 5-5/8"
IPPLUG124	IPATTC121	9-15/16" x 5-1/2"
IPPLUG127	IPATTC102	11-1/4" x 6-1/4"
IPPLUG128	IPATTC103	11-1/2" x 7-1/4"
IPPLUG129	IPPCAB12	11-3/4" x 6-3/8"
IPPLUG132	IPATTC104	11-3/4" x 6-3/4"
IPPLUG135	IPATTC122	11-15/16" x 6-3/8"
IPPLUG142	IPPCAB14	14-1/8" x 8-3/8"
IPPLUG144	IPATTC105	14-7/8" x 6-3/4"
IPPLUG145	IPATTC106	15-1/4" x 11"
IPPLUG147	IPATTC107	16-1/2" x 11"
IPPLUG150	IPPCAB18	17-3/8" x 9-1/4"

Install Tips:

Erect 2 jack posts on either side of the column to support it temporarily. Always consult a structural engineer before removing columns.

Installing Plugs:

- 1) Cut away rotted column bottom
- 2) Insert Load Bearing Plug into the hollow base
- 3) Slide in Plug & Base under the shaft
- 4) Lower Column onto the Load Plug

Optional Column Extensions

If more of the column is rotted, send us a drawing of the column extension
See page 211 Preparations



* For load bearing plugs for columns confirm loads with your structural engineer

* All prices & specifications subject to change without notice, Final products & Measurements may vary from this brochure



www.imperialproductions.com 800-399-7585

Imperial Productions & Distribution Inc
email sales@imperialproductions.com

Toronto / New York

copyright 2016 MRDCI All Rights Reserved

Vol 8: Sept 18