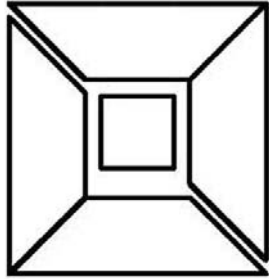




Smooth Square

IPAPSQ1008S-TBTC ArchPolymer™

Tuscan Capital



Inside Square
5"
12.7cm

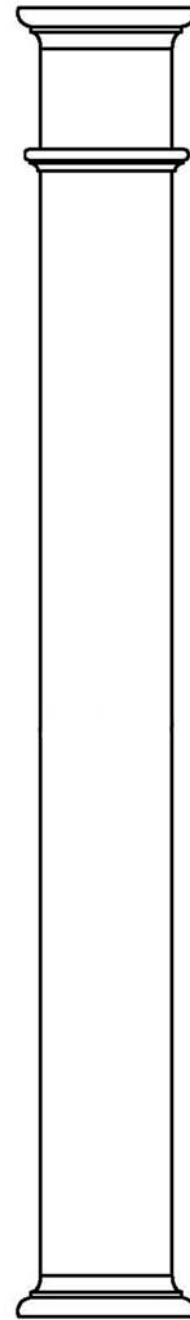
Cap 10-1/2" x 10-1/2" =>
26.67cm

Astragal =>
From Top 6-1/2"(16.5cm)

Top & Bottom
of Column

Inside
6" (14.6cm)

Outside
8" (20.32cm)



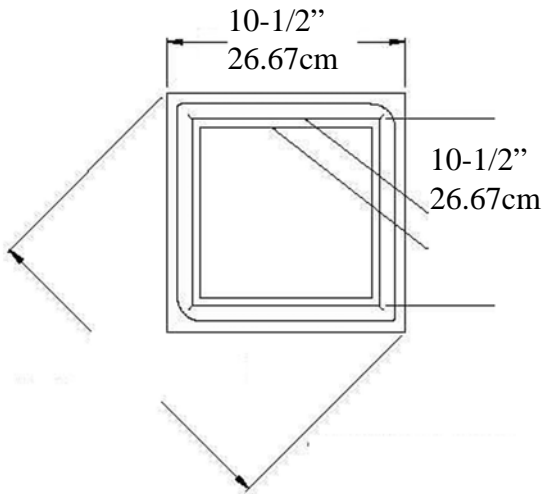
<=

Total
Height

10 Feet
(120")

3.04m

Tuscan Base



Internal Metal
Pipe 2-7/8"
Load 10,000lbs
4.535kg

approx material thickness 1" (2.54cm)

Base & Plinth =>
1-7/8" (4.76cm)

<=

* Includes 3 Parts - Sold as Unfinished Building Components - assembly & hardware by others, drawing not to scale

* Load from lintels must be centered on shaft to avoid uneven load displacement - Substrate must be even

For any Load Application consult with your structural engineer for suitability and local building codes requirements

* To avoid Lateral Movement: Affix Shaft Bottom to substrate with L Brackets hidden by Base, Affix Top of Shaft to Lintel

* All specifications subject to change without notice, Final products & Measurements may vary from this brochure



Imperial Productions®

1-800-399-7585 +1-416-264-6096

Imperial Productions & Distribution Inc.

email sales@imperialproductions.com copyright 2016 MRDCI All Rights Reserved

APR-26



Request for Quote IPAPSQ01008S

Download and Auto Fill PDF

Name / Company _____

Phone _____ Email _____

Billing Address _____

City _____ State / Prov _____

ZIP / PCode _____

Ship to Address _____

City _____ State / Prov _____

ZIP / PCode _____

Quantity Decorative Whole _____

Quantity Load Bearing with Steel Post _____

Note: _____



Imperial Productions®

1-800-399-7585 +1-416-264-6096

Imperial Productions & Distribution Inc.

email sales@imperialproductions.com copyright 2016 MRDCI All Rights Reserved

APR-26