

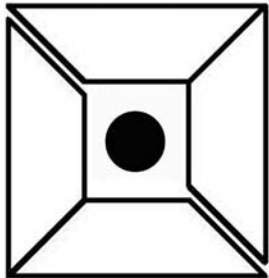


Smooth Square (Load Bearing)

IPAPSQ1006S-TBTC ArchPolymer™

Tuscan Capital

8-3/4" x 8-3/4"
22.3cm x 22.2cm



Inside Square
2-1/4"
5.71cm

Capital Height
1-7/8" (4.76cm)

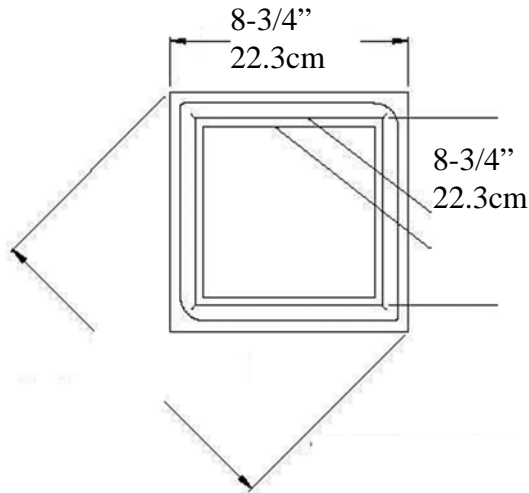
Astragal =>
From Top 6-1/2" (16.5cm)

Shaft
Inside
4" x 4" (10.16cm)

Shaft Outside
6" x 6" (15.24cm)

Internal Metal
Pipe 2-7/8"
Load 10,000lbs
4.535kg

Tuscan Base



approx material thickness 1" (2.54cm)

Sold Split on
the Diagonal
Assembly by
others

Base & Plinth
Height
1-7/8" (4.76cm)



- * Includes 3 Parts - Sold as Unfinished Building Components - assembly & hardware by others, drawing not to scale
- * Load from lintels must be centered on shaft to avoid uneven load displacement - Substrate must be even
- For any Load Application consult with your structural engineer for suitability and local building codes requirements
- * To avoid Lateral Movement: Affix Shaft Bottom to substrate with L Brackets hidden by Base, Affix Top of Shaft to Lintel
- * All specifications subject to change without notice, Final products & Measurements may vary from this brochure



Imperial Productions®

1-800-399-7585 +1-416-264-6096

Imperial Productions & Distribution Inc.

email sales@imperialproductions.com copyright 2016 MRDCI All Rights Reserved

APR-26



Request for Quote IPAPSQ01006S

Download and Auto Fill PDF

Name / Company _____

Phone _____ Email _____

Billing Address _____

City _____ State / Prov _____

ZIP / PCode _____

Ship to Address _____

City _____ State / Prov _____

ZIP / PCode _____

Quantity Decorative Whole _____

Quantity Load Bearing with Steel Post _____

Note: _____



Imperial Productions®

1-800-399-7585 +1-416-264-6096

Imperial Productions & Distribution Inc.

email sales@imperialproductions.com copyright 2016 MRDCI All Rights Reserved

APR-26