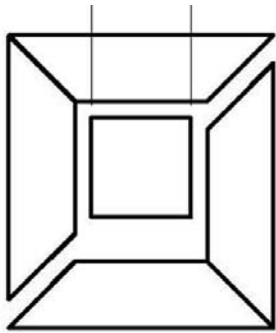




# Fluted Square ArchPolymer™

## IPAPSQ0908F

### Tuscan Capital



Inside Square  
5"  
12.7cm

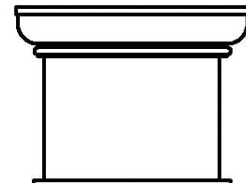
Cap 10" x 10" =>  
25.4cm

Astragal =>  
From Top 6-11/16"

Top & Bottom  
of Column

Inside  
6" (14.6cm)

Outside  
8" (20.3cm)

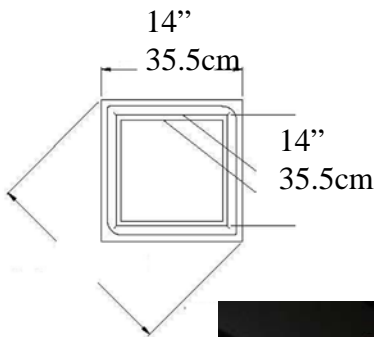


<=

Total  
Height

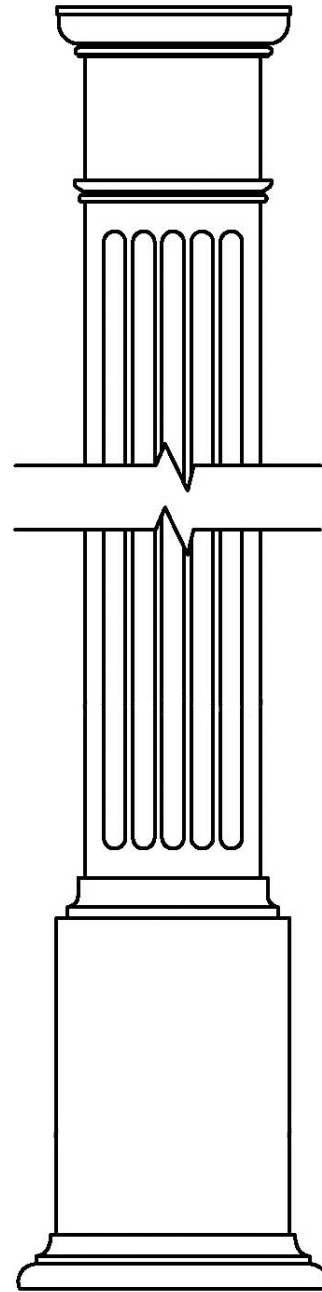
9 Feet  
(108")  
2.74m

### Tuscan Base



Plinth Width  
10-1/2" (26.6cm)

Base & Plinth  
1-7/8" (4.76cm)



<=

Optional Steel Load Post for 10,000 lbs

\* *assembly required, drawing not to scale*

\* All specifications subject to change without notice, Final products & Measurements may vary from this brochure



Imperial Productions®

1-800-399-7585 +1-416-264-6096

Imperial Productions & Distribution Inc.

email sales@imperialproductions.com copyright 2016 MRDCI All Rights Reserved

APR-25



# Custom Request (Download & Fill-in)

emailto sales@imperialproductions.com

Name \_\_\_\_\_

Date: \_\_\_\_\_

Contact: \_\_\_\_\_

Phone # \_\_\_\_\_

Email: \_\_\_\_\_

Address \_\_\_\_\_

ZIP/PC \_\_\_\_\_

## IPAPSQ0808F Decorative

ArchPolymer™ High Density Polyurethane, Primed ready to paint by Others (Interior/Exterior)

# of Unit \_\_\_\_\_ for Residential

# of FireRated Units \_\_\_\_\_ for Commercial Interior

## IPAPSQL0808F Load Bearing

ArchPolymer™ High Density Polyurethane, Primed ready to paint by Others (Interior/Exterior)

# of Unit \_\_\_\_\_ for Residential

# of FireRated Units \_\_\_\_\_ for Commercial Interior

## VALUE ADDED FINISHES

Factory Paint Color Code \_\_\_\_\_ Finish \_\_\_\_\_

Metal Coated: Type: \_\_\_\_\_

\* Possible Limitations due to Quantity Requested and/or Application



Imperial Productions®

1-800-399-7585 +1-416-264-6096

Imperial Productions & Distribution Inc.

email sales@imperialproductions.com copyright 2016 MRDCI All Rights Reserved