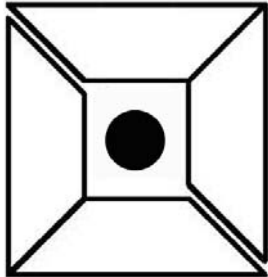




Smooth Square (Load Bearing) IPAPSQ0808S-TBTC ArchPolymer™

Tuscan Capital

Cap 10-1/2" x 10-1/2" =>
26.67cm



Inside Square
5"
12.7cm

Capital Height
1-7/8" (4.76cm)

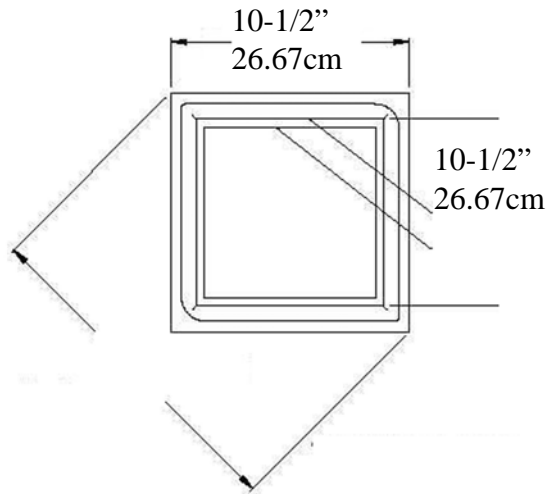
Astragal =>
From Top 6-1/2" (16.5cm)

Inside
6" (14.6cm)

Outside
8" (20.32cm)

Internal Metal
Pipe 2-7/8"
Load 10,000lbs
4.535kg

Tuscan Base



approx material thickness 1" (2.54cm)

Sold Split on
the Diagonal
Assembly by
others

Optional Steel
Load Post
10,000 lbs

Base & Plinth =>
1-7/8" (4.76cm)



<=
Total Height
8 Feet
(96")
2.43m

<=

- * Includes 3 Parts - Sold as Unfinished Building Components - assembly & hardware by others, drawing not to scale
- * Load from lintels must be centered on shaft to avoid uneven load displacement - Substrate must be even
- For any Load Application consult with your structural engineer for suitability and local building codes requirements
- * To avoid Lateral Movement: Affix Shaft Bottom to substrate with L Brackets hidden by Base, Affix Top of Shaft to Lintel
- * All specifications subject to change without notice, Final products & Measurements may vary from this brochure



Imperial Productions®

1-800-399-7585

Imperial Productions & Distribution Inc.

email sales@imperialproductions.com copyright 2016 MRDCI All Rights Reserved

APR-23



Request for Quote IPAPSQ0808S

Download and Auto Fill PDF

Name / Company _____

Phone _____ Email _____

Billing Address _____

City _____ State / Prov _____

ZIP / PCode _____

Ship to Address _____

City _____ State / Prov _____

ZIP / PCode _____

Quantity Decorative Whole _____

Quantity Load Bearing with Steel Post _____

Note: _____



Imperial Productions®

1-800-399-7585 +1-416-264-6096

Imperial Productions & Distribution Inc.

email sales@imperialproductions.com copyright 2016 MRDCI All Rights Reserved

APR-26