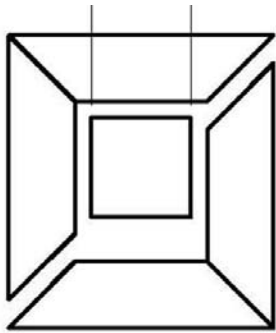




Fluted Square ArchPolymer™

IPAPSQ0808F

Tuscan Capital



Inside Square
3"
7.62cm

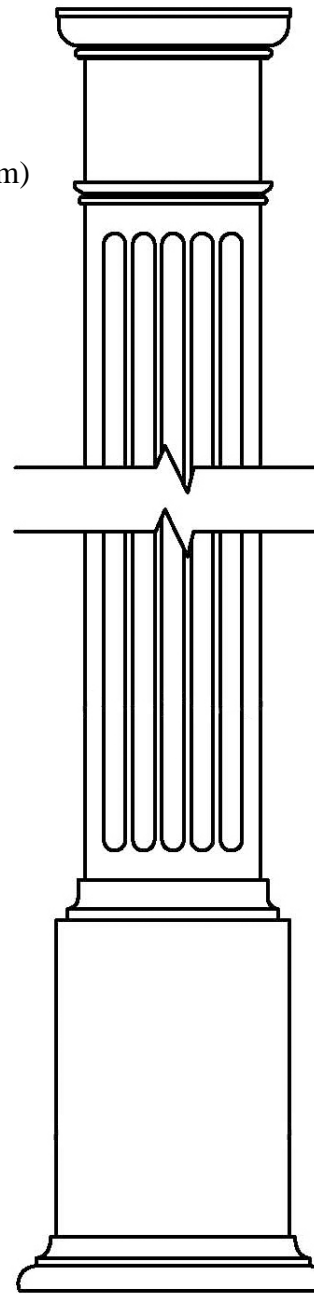
Cap 10" x 10" =>
25.4cm

Astragal =>
From Top 6-1/2" (16.5cm)

Top & Bottom
of Column

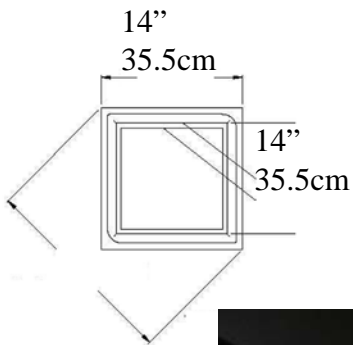
Inside
5" (12.7cm)

Outside
8" (20.3cm)



<=
Total Height
8 Feet
(96")
2.43m
<=

Tuscan Base



Plinth Width
10-1/2" (26.6cm)

Base & Plinth
1-7/8" (4.76cm)

Optional Steel Load Post for 10,000 lbs

* *assembly required, drawing not to scale E&OE*

* All specifications subject to change without notice, Final products & Measurements may vary from this brochure



Imperial Productions®

Imperial Productions & Distribution Inc.

email sales@imperialproductions.com

1-800-399-7585 +1-416-264-6096

copyright 2016 MRDCI All Rights Reserved

APR-25



Custom Request (Download & Fill-in)

emailto sales@imperialproductions.com

Name _____

Date: _____

Contact: _____

Phone # _____

Email: _____

Address _____

ZIP/PC _____

IPAPSQ0808F Decorative

ArchPolymer™ High Density Polyurethane, Primed ready to paint by Others (Interior/Exterior)

of Unit _____ for Residential

of FireRated Units _____ for Commercial Interior

IPAPSQL0808F Load Bearing

ArchPolymer™ High Density Polyurethane, Primed ready to paint by Others (Interior/Exterior)

of Unit _____ for Residential

of FireRated Units _____ for Commercial Interior

VALUE ADDED FINISHES

Factory Paint Color Code _____ Finish _____

Metal Coated: Type: _____

* Possible Limitations due to Quantity Requested and/or Application



Imperial Productions®

1-800-399-7585 +1-416-264-6096

Imperial Productions & Distribution Inc.

email sales@imperialproductions.com copyright 2016 MRDCI All Rights Reserved