

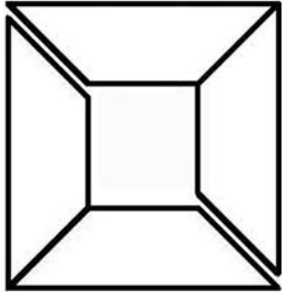


# Smooth Square (Decorative)

## IPAPSQ0806S-TBTC ArchPolymer™

### Tuscan Capital

8-3/4" x 8-3/4"  
22.3cm x 22.2cm



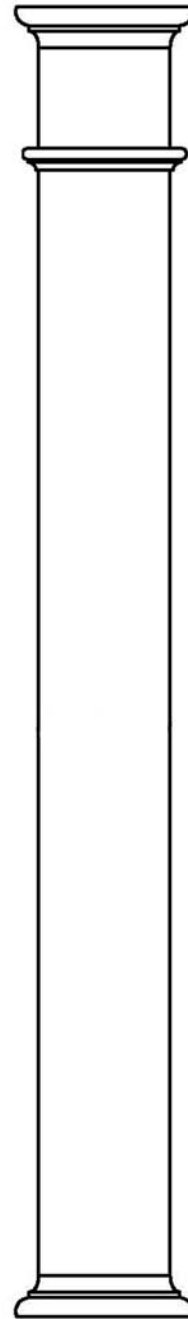
Inside Square  
2-1/4"  
5.71cm

Capital Height  
1-7/8" (4.76cm)

Astragal =>  
From Top 6-1/2" (16.5cm)

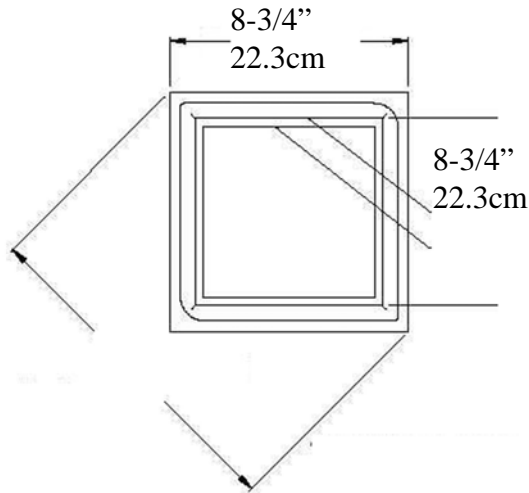
Shaft  
Inside  
4" x 4" (10.16cm)

Shaft Outside  
6" x 6" (15.24cm)



<=  
Total Height  
8 Feet (96")  
2.438m

### Tuscan Base



Optional Steel  
Load Post  
10,000 lbs

Sold Split on  
the Diagonal  
Assembly by  
others

approx material thickness 1" (2.54cm)

Base & Plinth  
Height  
1-7/8" (4.76cm)

=>

<=

\* Includes 3 Parts - Sold as Unfinished Building Components - assembly & hardware by others, drawing not to scale

\* All specifications subject to change without notice, Final products & Measurements may vary from this brochure



Imperial Productions®

1-800-399-7585 +1-416-264-6096

Imperial Productions & Distribution Inc.

email sales@imperialproductions.com copyright 2016 MRDCI All Rights Reserved

APR-26



# Request for Quote IPAPSQ0806S

## Download and Auto Fill PDF

Name / Company \_\_\_\_\_

Phone \_\_\_\_\_ Email \_\_\_\_\_

Billing Address \_\_\_\_\_

City \_\_\_\_\_ State / Prov \_\_\_\_\_

ZIP / PCode \_\_\_\_\_

Ship to Address \_\_\_\_\_

City \_\_\_\_\_ State / Prov \_\_\_\_\_

ZIP / PCode \_\_\_\_\_

Quantity Decorative Whole \_\_\_\_\_

Quantity Load Bearing with Steel Post \_\_\_\_\_

Note: \_\_\_\_\_



Imperial Productions®

1-800-399-7585 +1-416-264-6096

Imperial Productions & Distribution Inc.

email sales@imperialproductions.com copyright 2016 MRDCI All Rights Reserved

APR-26