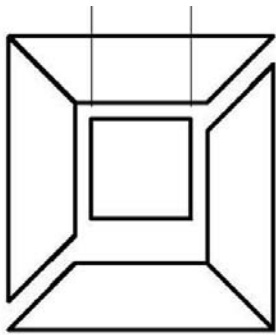




Fluted Square ArchPolymer™

IPAPSQ0806F

Tuscan Capital



Inside Square
3" (7.62cm)
walls 1" (2.5cm)

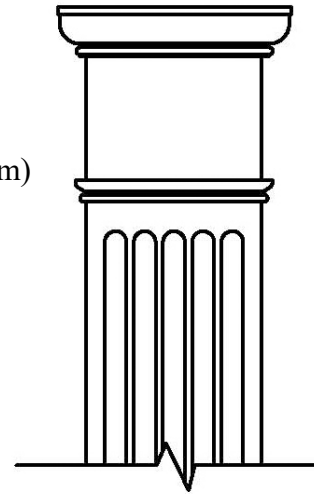
Cap 8" x 8" =>
20.32cm

Astragal =>
From Top 6-1/2" (16.5cm)

Top & Bottom
of Column

Inside
3" (7.62cm)

Outside
6" (14.6cm)



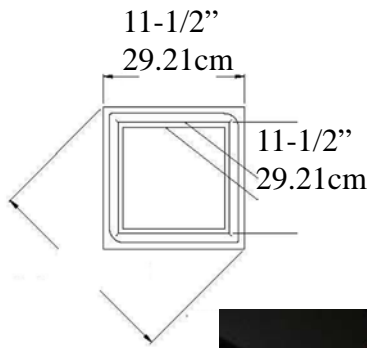
<=

Total
Height

8 Feet
(96")

2.43m

Tuscan Base



11-1/2"
29.21cm

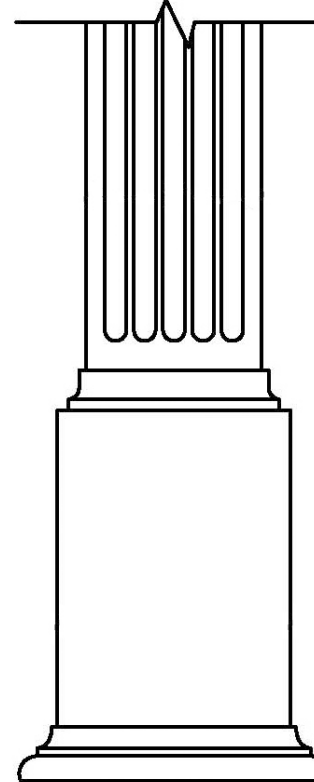
11-1/2"
29.21cm



Plinth Width
8" (20.32cm)

Base & Plinth
1-7/8" (4.76cm)

Plinth Width/Depth
11-1/2" (29.21cm)



<=

Optional Steel Load Post for 10,000 lbs

* *assembly required, drawing not to scale*

* All specifications subject to change without notice, Final products & Measurements may vary from this brochure E&OE



Imperial Productions®

Imperial Productions & Distribution Inc.

email sales@imperialproductions.com

1-800-399-7585 +1-416-264-6096

copyright 2016 MRDCI All Rights Reserved

APR-25



Custom Request (Download & Fill-in)

emailto sales@imperialproductions.com

Name _____

Date: _____

Contact: _____

Phone # _____

Email: _____

Address _____

ZIP/PC _____

IPAPSQ0808F Decorative

ArchPolymer™ High Density Polyurethane, Primed ready to paint by Others (Interior/Exterior)

of Unit _____ for Residential

of FireRated Units _____ for Commercial Interior

IPAPSQL0808F Load Bearing

ArchPolymer™ High Density Polyurethane, Primed ready to paint by Others (Interior/Exterior)

of Unit _____ for Residential

of FireRated Units _____ for Commercial Interior

VALUE ADDED FINISHES

Factory Paint Color Code _____ Finish _____

Metal Coated: Type: _____

* Possible Limitations due to Quantity Requested and/or Application



Imperial Productions®

1-800-399-7585 +1-416-264-6096

Imperial Productions & Distribution Inc.

email sales@imperialproductions.com copyright 2016 MRDCI All Rights Reserved