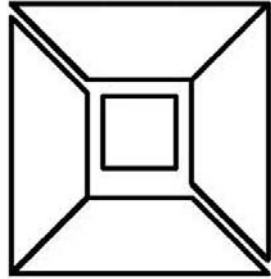




Smooth Square

IPAPSQ0508S-TBTC ArchPolymer™

Tuscan Capital



Inside Square
5"
12.7cm

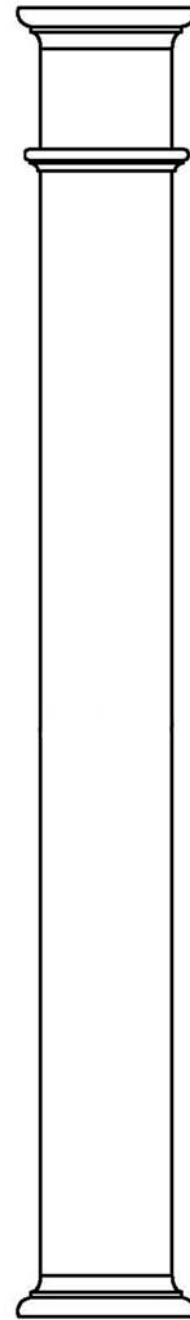
Cap 10-1/2" x 10-1/2" =>
26.67cm

Astragal =>
From Top 6-1/2"(16.5cm)

Top & Bottom
of Column

Inside
6" (14.6cm)

Outside
8" (20.32cm)



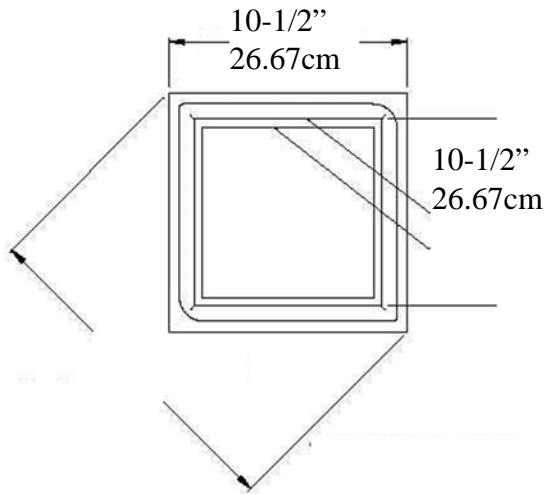
<=

Total
Height

5 Feet
(60")

1.524m

Tuscan Base



10-1/2"
26.67cm

10-1/2"
26.67cm

Optional Steel
Load Post
10,000 lbs

approx material thickness 1" (2.54cm)

Base & Plinth =>
1-7/8" (4.76cm)

<=

* *assembly required, drawing not to scale*

* All specifications subject to change without notice, Final products & Measurements may vary from this brochure



Imperial Productions®

Imperial Productions & Distribution Inc.

email sales@imperialproductions.com copyright 2016 MRDCI All Rights Reserved

1-800-399-7585 +1-416-264-6096

APR-26



Request for Quote IPAPSQ0508S

Download and Auto Fill PDF

Name / Company _____

Phone _____ Email _____

Billing Address _____

City _____ State / Prov _____

ZIP / PCode _____

Ship to Address _____

City _____ State / Prov _____

ZIP / PCode _____

Quantity Whole _____

Split Post Wrap _____ Split for Pilaster _____

Split for Engaged _____ Split Wall Wrap _____

Split Outside Corner _____ Split Inside Corner _____

Note: _____



Imperial Productions®

Imperial Productions & Distribution Inc.

email sales@imperialproductions.com copyright 2016 MRDCI All Rights Reserved

1-800-399-7585 +1-416-264-6096

APR-26