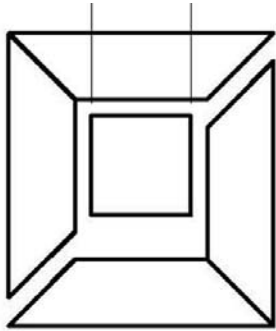




Fluted Square ArchPolymer™

IPAPSQ0508F

Tuscan Capital



Inside Square
3"
7.62cm

Cap 10" x 10" =>
25.4cm

Astragal =>
From Top 6-1/2"(16.5cm)

Top & Bottom
of Column

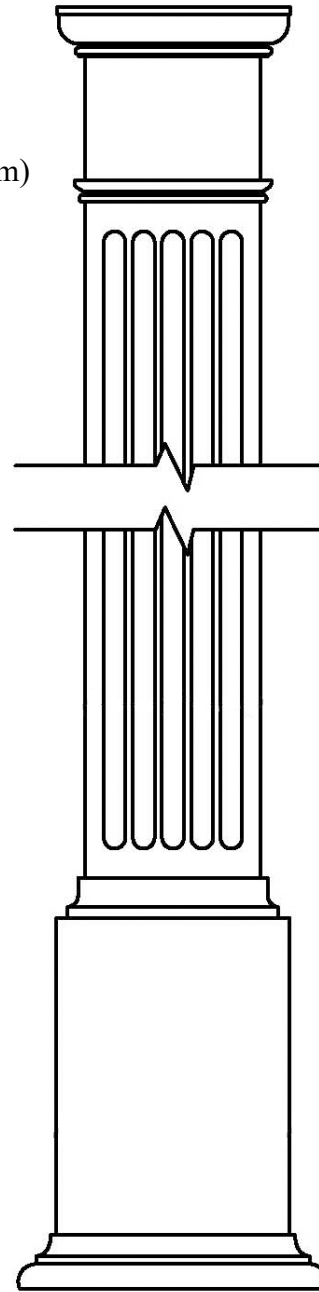
Inside
6" (14.6cm)

Outside
8" (20.3cm)

Optional Steel
Load Post
10,000 lbs

Plinth Width
10-1/2" (26.6cm)

Base & Plinth
1-7/8" (4.76cm)



<=

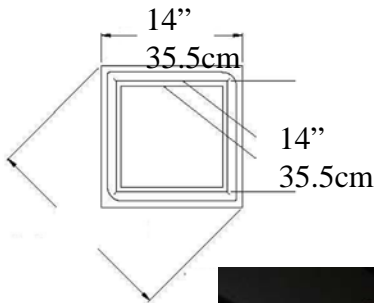
Total
Height

5 Feet
(60")

1.524m

<=

Tuscan Base



Optional Steel Load Post for 10,000 lbs

** assembly required, drawing not to scale*

** All specifications subject to change without notice, Final products & Measurements may vary from this brochure*



Imperial Productions®

Imperial Productions & Distribution Inc.

email sales@imperialproductions.com copyright 2016 MRDCI All Rights Reserved

1-800-399-7585 +1-416-264-6096

APR-25



Custom Request (Download & Fill-in)

emailto sales@imperialproductions.com

Name _____

Date: _____

Contact: _____

Phone # _____

Email: _____

Address _____

ZIP/PC _____

IPAPSQ0808F Decorative

ArchPolymer™ High Density Polyurethane, Primed ready to paint by Others (Interior/Exterior)

of Unit _____ for Residential

of FireRated Units _____ for Commercial Interior

IPAPSQL0808F Load Bearing

ArchPolymer™ High Density Polyurethane, Primed ready to paint by Others (Interior/Exterior)

of Unit _____ for Residential

of FireRated Units _____ for Commercial Interior

VALUE ADDED FINISHES

Factory Paint Color Code _____ Finish _____

Metal Coated: Type: _____

* Possible Limitations due to Quantity Requested and/or Application



Imperial Productions®

1-800-399-7585 +1-416-264-6096

Imperial Productions & Distribution Inc.

email sales@imperialproductions.com copyright 2016 MRDCI All Rights Reserved