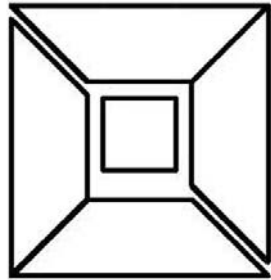




Smooth Square

IPAPSQ0506S-TBTC ArchPolymer™

Tuscan Capital



Inside Square
2-1/4"
5.71cm

Cap 8" x 8" =>
20.32cm

Astragal =>
From Top 6-1/2"(16.5cm)

Top & Bottom
of Column

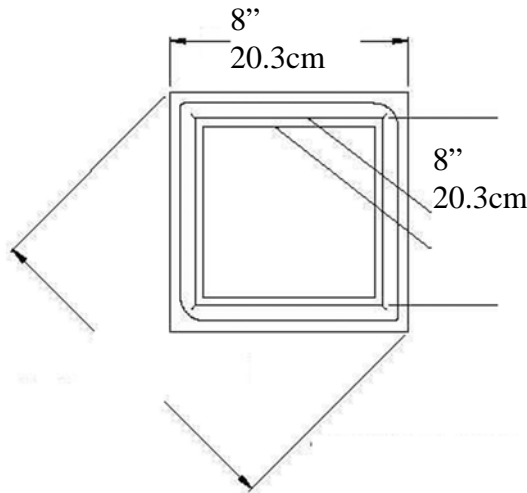
Inside
4" (10.16cm)

Outside
6" (14.6cm)



<=
Total Height
5 Feet
(60")
1.524m

Tuscan Base



Optional Steel
Load Post
10,000 lbs

approx material thickness 1" (2.54cm)

Base & Plinth =>
1-7/8" (4.76cm)

* *assembly required, drawing not to scale*

* All specifications subject to change without notice, Final products & Measurements may vary from this brochure



Imperial Productions®

Imperial Productions & Distribution Inc.

email sales@imperialproductions.com copyright 2016 MRDCI All Rights Reserved

1-800-399-7585 +1-416-264-6096

APR-26



Request for Quote IPAPSQ0506S

Download and Auto Fill PDF

Name / Company _____

Phone _____ Email _____

Billing Address _____

City _____ State / Prov _____

ZIP / PCode _____

Ship to Address _____

City _____ State / Prov _____

ZIP / PCode _____

Quantity Decorative Whole _____

Quantity Load Bearing with Steel Post _____

Note: _____



Imperial Productions®

1-800-399-7585 +1-416-264-6096

Imperial Productions & Distribution Inc.

email sales@imperialproductions.com copyright 2016 MRDCI All Rights Reserved

AUG-25