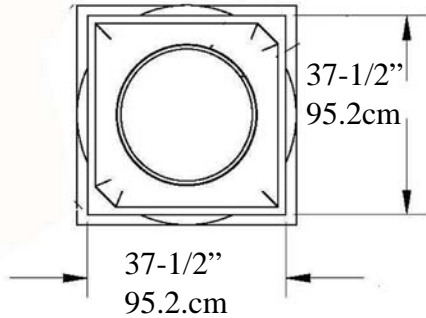




Tuscan Tapered Column

IPTUS2630S-TCTB Fiberglass

Tuscan Capital ArchPolymertm

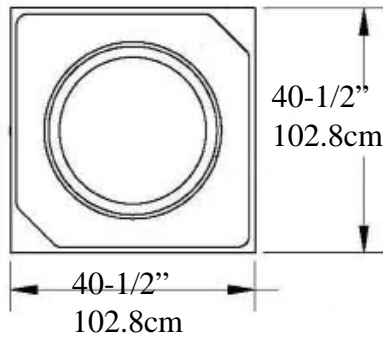


Cap 8-5/8" (21.9cm)=>

Top of Shaft to Top of Astragal 14" (35.5cm) =>

Top of Shaft
Outside Diameter
27"
68.5cm

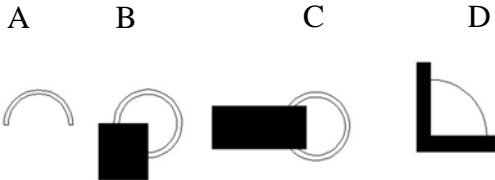
Tuscan Base ArchPolymertm



Bottom of Column
Outside Diameter
30"
76.2cm

Taper Ends
from Bottom
approximately
119"
3.022 meters

Optional Cuts



- A = Half column
- B = 3/4 Outside Corner
- C = Wall Cover Engaged
- D = 1/4 Column Inside Corner
- E = Engaged any percentage

Base & Plinth
16-1/2" (41.9cm)



=<
Total Height

26 Feet
7.924 meters

=<

Weight Shaft 769 lb (348.8 Kg)
Centered Load to 20,000lbs (9.07m tons)

- * assembly required, drawing not to scale Loads must be Centered on the Shaft
- * Sold as a building Component - Intergration Hardware by others
- * For Load Application check with your structural engineer for suitability in your local area
- * All specifications subject to change without notice, Final products & Measurements may vary from this brochure E/OE



Imperial Productions®

Imperial Productions & Distribution Inc

email sales@imperialproductions.com copyright 2016 MRDCI All Rights Reserved

1-800-399-7585 +1-416-264-6096

SEP-25



Custom Request (Download & Fill-in)

sales@imperialproductions.com IPTUS2630S-TCTB

Name _____

Contact: _____

Phone # _____

Email: _____

Bill to Address _____
_____ ZIP/PC _____

Ship to Address _____
_____ ZIP/PC _____

All deliveries shipped with insurance

Specify the type of Delivery Required Enter Letter => _____

- a) Residential
- b) Residential with tailgate
- c) Commercial with Loading Dock
- d) Commercial Curbside Delivery

A) Whole How Many _____

B) Split for Post Wrap How Many _____
To Wrap Round Post Size _____ Square Post Size _____
How are they split _____

C) Split for Pilaster How Many _____

* Possible Limitations due to Quantity Requested and/or Application



Imperial Productions®

1-800-399-7585 +1-416-264-6096

Imperial Productions & Distribution Inc.

email sales@imperialproductions.com copyright 2016 MRDCI All Rights Reserved