



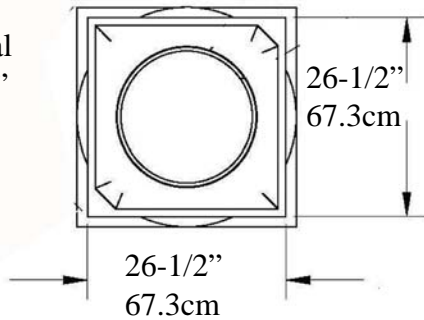
Tuscan Tapered Column

IPTUS1222S-TCTB Fiberglass

Tuscan Capital EconPolymer™

Cap 6-3/8" (16.1cm)=>

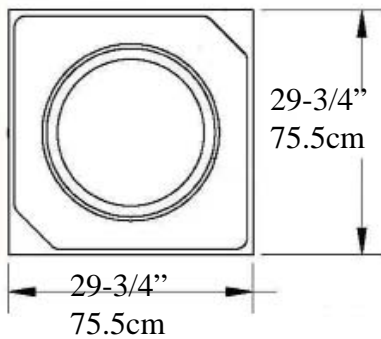
Diagonal
36-7/16"
92.5cm



Top of Shaft
Outside Diameter
18-1/2" (46.9cm)
Inside Diameter
16-1/2" (41.9cm)

Tuscan Base EconPolymer™

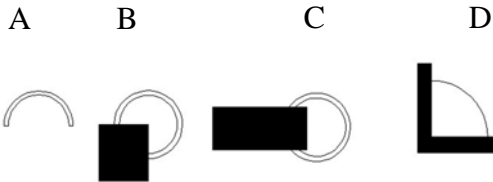
Diagonal
42"
106.6cm



Bottom of Column
Outside Diameter
21-1/2"
54.6cm

Taper Ends
from Bottom
approximately
47"
119.38 cm

Optional Cuts



- A= Half column
- B = 3/4 Outside Corner
- C = Wall Cover Engaged
- D = 1/4 Column Inside Corner
- E = Engaged any percentage

Base & Plinth
12-1/8" (30.7cm)



Total Height
12 Feet
3.657 meters

Weight Shaft 230 lbs (104.3 Kg)
Centered Load to 20,000lbs (9.07m tons)

* *assembly required, drawing not to scale*

* *For Load Application check with your structural engineer for suitability in your local area*

* *All specifications subject to change without notice, Final products & Measurements may vary from this brochure*



Imperial Productions®

Imperial Productions & Distribution Inc.

email sales@imperialproductions.com copyright 2016 MRDCI All Rights Reserved

1-800-399-7585 +1-416-264-6096

NOV-25



Custom Request (Download & Fill-in)

sales@imperialproductions.com IPTUS1222S-TCTB

Name _____

Contact: _____

Phone # _____

Email: _____

Bill to Address _____
_____ ZIP/PC _____

Ship to Address _____
_____ ZIP/PC _____

All deliveries shipped with insurance

Specify the type of Delivery Required Enter Letter => _____

- a) Residential
- b) Residential with tailgate
- c) Commercial with Loading Dock
- d) Commercial Curbside Delivery

A) Whole How Many _____

B) Split for Post Wrap How Many _____
To Wrap Round Post Size _____ Square Post Size _____
How are they split _____

C) Split for Pilaster How Many _____

* Possible Limitations due to Quantity Requested and/or Application



Imperial Productions®

1-800-399-7585 +1-416-264-6096

Imperial Productions & Distribution Inc.

email sales@imperialproductions.com copyright 2016 MRDCI All Rights Reserved