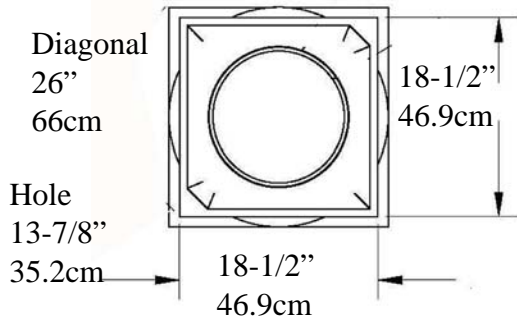




Tuscan Tapered Column

IPTUS1216S-TCTB FiberComp™

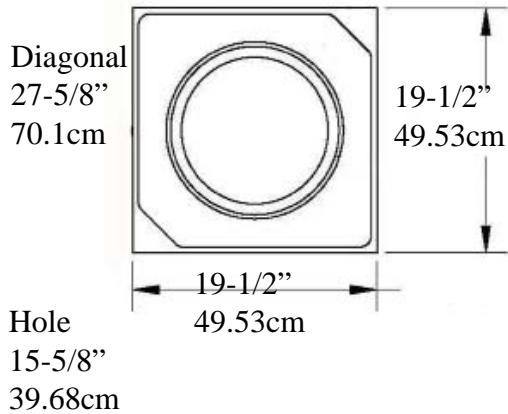
Tuscan Capital ArchPolymertm



Cap 4-1/4" (10.7cm)=>

Top of Shaft
 Outside Diameter 13-3/4" (34.92cm)
 Approximate Inside Diameter 12" (30.48cm)

Tuscan Base ArchPolymertm



Bottom of Column
 Outside Diameter 15-1/2" 39.3cm

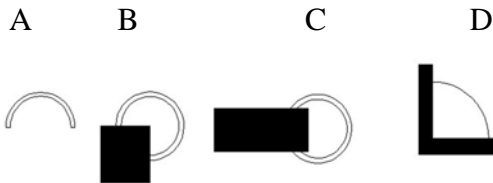
Taper Ends from Bottom approximately 48" (1.21m)



<= |
 Total Height
 12 Feet (144")
 3.65 metre

Imperial Productions®

Optional Cuts



- A = Half column
- B = 3/4 Outside Corner
- C = Wall Cover Engaged
- D = 1/4 Column Inside Corner
- E = Engaged any percentage

Base & Plinth 8-1/4" (20.9cm)

* *assembly required, drawing not to scale*

* *For Load Application check with your structural engineer for suitability in your local area*

* All specifications subject to change without notice, Final products & Measurements may vary from this brochure



Imperial Productions®

Imperial Productions & Distribution Inc.

email sales@imperialproductions.com

1-800-399-7585 +1-416-264-6096

copyright 2016 MRDCI All Rights Reserved

JAN-26



Custom Request (Download & Fill-in)

sales@imperialproductions.com IPTUS1216S-TCTB

Name _____

Contact: _____

Phone # _____

Email: _____

Bill to Address _____
_____ ZIP/PC _____

Ship to Address _____
_____ ZIP/PC _____

All deliveries shipped with insurance

Specify the type of Delivery Required Enter Letter => _____

- a) Residential
- b) Residential with tailgate
- c) Commercial with Loading Dock
- d) Commercial Curbside Delivery

A) Whole How Many _____

B) Split for Post Wrap How Many _____
To Wrap Round Post Size _____ Square Post Size _____
How are they split _____

C) Split for Pilaster How Many _____

* Possible Limitations due to Quantity Requested and/or Application



Imperial Productions®

1-800-399-7585 +1-416-264-6096

Imperial Productions & Distribution Inc.

email sales@imperialproductions.com copyright 2016 MRDCI All Rights Reserved