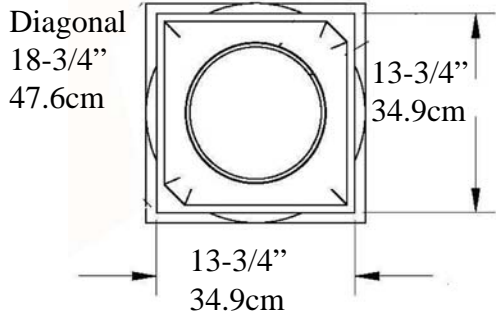




Tuscan Tapered Smooth Column

IPTUS0912S-TCTB FRP-PolyComp™

Tuscan Capital ArchPolymert™

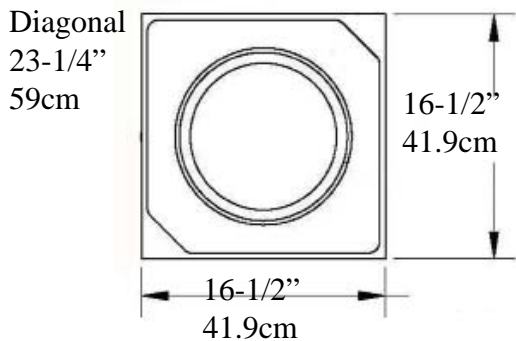


Cap 4" (10cm)=>

Top of Shaft
Outside Diameter
9-1/4" (24.4cm)

Minimum
Inside Diameter
8" (20.3cm)

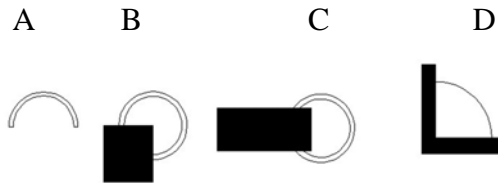
Tuscan Base ArchPolymert™



Taper Ends
from Bottom
28"
71.12cm

Bottom of Column
Outside Diameter
11-5/8"
29.5cm

Optional Cuts



- A= Half column
- B = 3/4 Outside Corner
- C = Wall Cover Engaged
- D = 1/4 Column Inside Corner
- E = Engaged any percentage

Base & Plinth
6" (15.2cm)



<=
Total
Height

9 Feet
(108")

2.74 metre

Imperial Productions®

Weight 126 lb (57 Kg)
Load o/c to 18,000lbs (8.16m tons)

* *assembly required, drawing not to scale*

* *For Load Application check with your structural engineer for suitability in your local area*

* All specifications subject to change without notice, Final products & Measurements may vary from this brochure



Imperial Productions®
Imperial Productions & Distribution Inc.
email sales@imperialproductions.com

1-800-399-7585 +1-416-264-6096

copyright 2016 MRDCI All Rights Reserved

OCT-25



Custom Request (Download & Fill-in)

sales@imperialproductions.com IPTUS0912S-TCTB

Name _____

Contact: _____

Phone # _____

Email: _____

Bill to Address _____
_____ ZIP/PC _____

Ship to Address _____
_____ ZIP/PC _____

All deliveries shipped with insurance

Specify the type of Delivery Required Enter Letter => _____

- a) Residential
- b) Residential with tailgate
- c) Commercial with Loading Dock
- d) Commercial Curbside Delivery

A) Whole How Many _____

B) Split for Post Wrap How Many _____
To Wrap Round Post Size _____ Square Post Size _____
How are they split _____

C) Split for Pilaster How Many _____

* Possible Limitations due to Quantity Requested and/or Application



Imperial Productions®

1-800-399-7585 +1-416-264-6096

Imperial Productions & Distribution Inc.

email sales@imperialproductions.com copyright 2016 MRDCI All Rights Reserved