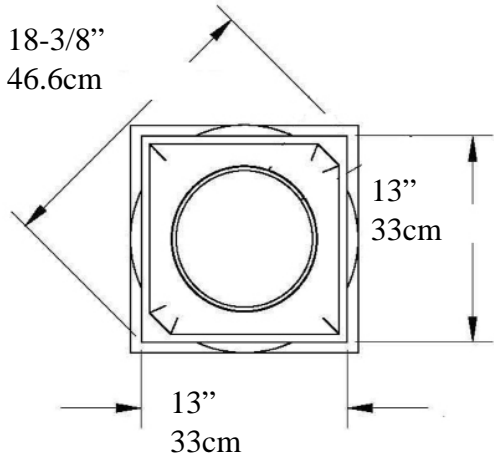




Tuscan Non-Tapered Smooth Column IPTUS0910SNT-TCTB FRP-PolyComp™

Tuscan Capital EconPolymertm

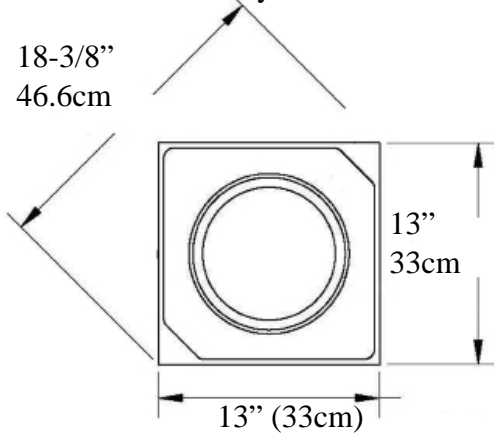


Cap 5" (12.7cm)

Optional Astragal=>

Top of Shaft
Minimum
Inside Diameter
7-1/4" (18.4cm)

Tuscan Base EconPolymertm



Outside Diameter
9-5/8" (24.4cm)

Bottom of Column
Outside Diameter
9-5/8"
24.4cm

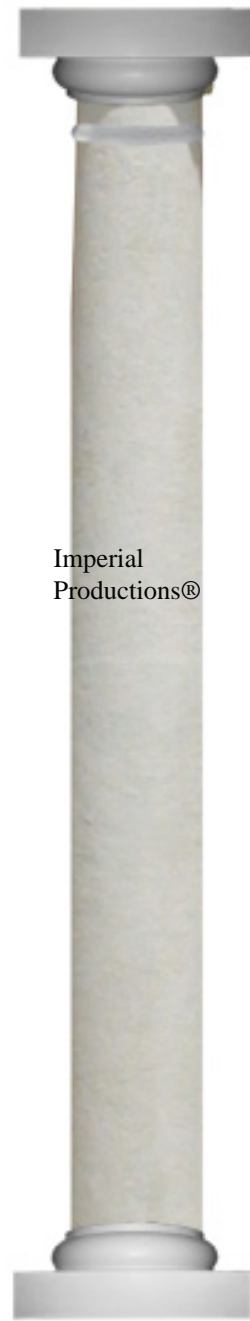
Optional Cuts

A B C D



- A = Half column
- B = 3/4 Outside Corner
- C = Wall Cover Engaged
- D = 1/4 Column Inside Corner
- E = Engaged any percentage

Base & Plinth =>
5" (12.7cm)



Imperial
Productions®

<=
Total
Height

9 Feet
108"

2.74 metre

Shaft weight 100 lbs (45.3kg)
Center Loads to 14,000lbs (6.35m tons)

* *assembly required, drawing not to scale*

* *For Load Application check with your structural engineer for suitability in your local area*

* All specifications subject to change without notice, Final products & Measurements may vary from this brochure



Imperial Productions®

1-800-399-7585

Imperial Productions & Distribution Inc.

email sales@imperialproductions.com copyright 2016 MRDCI All Rights Reserved

SEP-24



Custom Request (Download & Fill-in)

sales@imperialproductions.com IPTUS0910SNT-TCTB

Name _____

Contact: _____

Phone # _____

Email: _____

Address _____
_____ ZIP/PC _____

FRP-PolyComp™

(Interior/Exterior)

of Whole Units _____ # of Split Units _____

Type of Split enter Letter _____

Optional Cuts

A B C D



A= Half column

B = 3/4 Outside Corner

C = Wall Cover Engaged

D = 1/4 Column Inside Corner

E = Engaged any percentage

* Possible Limitations due to Quantity Requested and/or Application



Imperial Productions®

1-800-399-7585 +1-416-264-6096

Imperial Productions & Distribution Inc.

email sales@imperialproductions.com copyright 2016 MRDCI All Rights Reserved