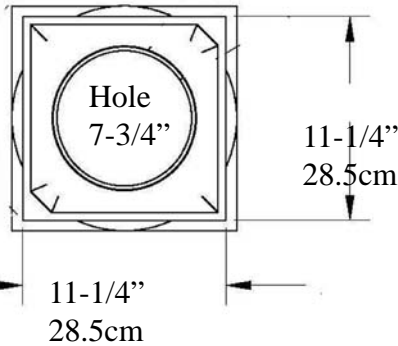




Doric Smooth Tapered IPDOR0810S-DCAB FRP-PolyComp™

Doric Capital ArchPolymer

15-3/8"
40.3cm



Cap 3-3/8" (8.5cm)=>

Top of Shaft
Minimum
Inside Diameter
6-1/4" (15.8cm)

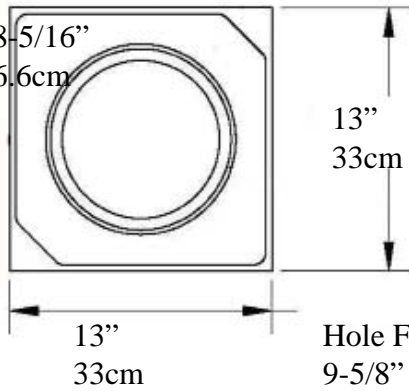
Outside Diameter
7-1/2" (19cm)

Bottom of Shaft
Outside Diameter
9-5/8"
24.4cm

<= |
Total Height
8 Feet
96"
2.43m

Attic Base ArchPolymer™

18-5/16"
46.6cm

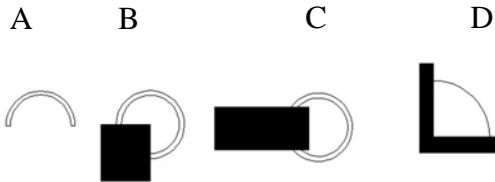


Hole Fits
9-5/8"
24.5cm

Weight Shaft
72 lb (32.6 Kg)
Center Loads to
14,000lbs (6.35m tons)

Imperial
Productions

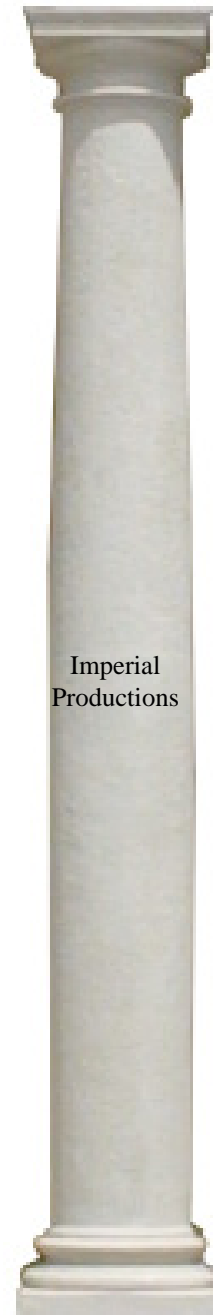
Optional Cuts



- A= Half column
- B = 3/4 Outside Corner
- C = Wall Cover Engaged
- D = 1/4 Column Inside Corner
- E = Engaged any percentage

Base & Plinth
5-1/2" (13.9cm)

Largest Post Wrap Round 6-1/8"
Largest Post Wrap Square 4-1/2"



<=

* assembly required, drawing not to scale Loads must be Centered on the Shaft
 * Sold as a building Component - Intergration Hardware by others
 * For Load Application check with your structural engineer for suitability in your local area
 * All specifications subject to change without notice, Final products & Measurements may vary from this brochure E/OE





Custom Request (Download & Fill-in)

emailto sales@imperialproductions.com IPDOR0810S

Name _____

Contact: _____

Phone # _____

Email: _____

Address _____
_____ ZIP/PC _____

FRP-PolyComp™ A Composite Gypum, Fiberglass, Marble Chips, Prime & Paint by others

(Interior/Exterior)

of Whole Units _____ # of Split Units _____

Type of Split enter Letter _____

Optional Cuts

A B C D



A= Half column

B = 3/4 Outside Corner

C = Wall Cover Engaged

D = 1/4 Column Inside Corner

E = Engaged any percentage

* Possible Limitations due to Quantity Requested and/or Application



Imperial Productions®

1-800-399-7585 +1-416-264-6096

Imperial Productions & Distribution Inc.

APR-26

email sales@imperialproductions.com copyright 2016 MRDCI All Rights Reserved