



Roman Corinthian Capital

IPCPROC501

Materials:

ArchPolymer™ or GRG-NeoPlaster

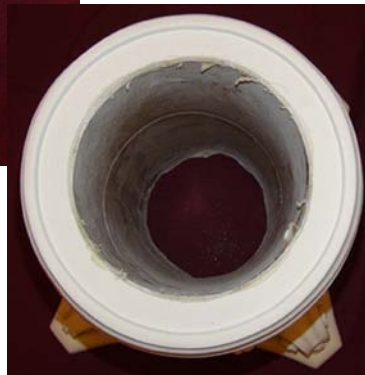


Total
Height
16"
40.6cm

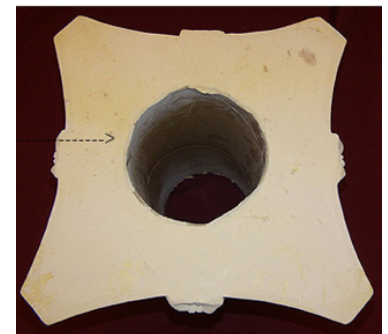
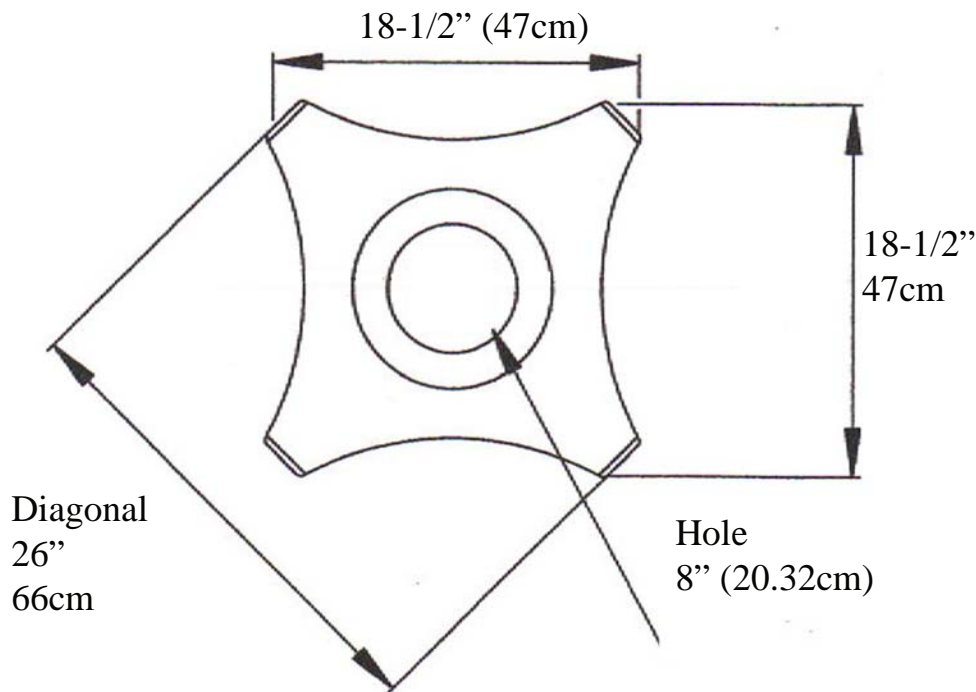
Imperial
Productions®



Imperial
Productions®



Outside Diameter
of the Bell (Bottom Ring)
10" (25.4cm)



* All specifications subject to change without notice,
Final products & Measurements may vary from this brochure



Imperial Productions®

1-800-399-7585 +1-416-264-6096

Imperial Productions & Distribution Inc.

email sales@imperialproductions.com copyright 2016 MRDCI All Rights Reserved



Custom Request (Download & Fill-in)

sales@imperialproductions.com IPCPROC501

Name _____

Contact: _____

Phone # _____

Email: _____

Address _____

ZIP/PC _____

ArchPolymer™ an Artificial Wood: Rot water and insect resistant, White Primed Ready to Paint

(Interior/Exterior)

of Units _____

GRG-NeoPlaster™ a New Age Plaster Prime and Paint by Others

(Interior only)

of Units _____

GFRC-Zeament™ a Composite of Portland Cement and PolyResins - Smooth Surface Prime and Paint by Others

(Exterior Heavy)

of Units _____

* Possible Limitations due to Quantity Requested and/or Application



Imperial Productions®

1-800-399-7585 +1-416-264-6096

Imperial Productions & Distribution Inc.

email sales@imperialproductions.com copyright 2016 MRDCI All Rights Reserved