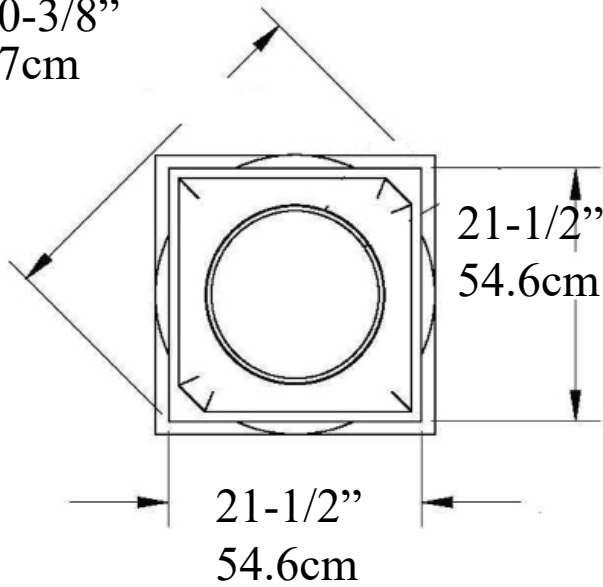




Attic Base IPATTC104 ArchPolymer™

Diagonal
30-3/8"
77cm



Hole
16-1/4"
41.2cm

Hole 16-1/4" (41.2cm)
Circumference
51 inches

Total Height

9-1/2" (24.1cm)

Top Round 6" (15.2cm)

Plinth 3-1/2" (8.89cm)



Made from Molds

High density Synthetic Polyurethane
Interior & Exterior Use
Insect, Rot, Water Resistant
Same Density as White Pine

* All specifications subject to change without notice,
Final products & Measurements may vary from this brochure Manufacturing tolerances +/- 1/8" (.31cm)



Imperial Productions®

1-800-399-7585

Imperial Productions & Distribution Inc.

email sales@imperialproductions.com copyright 2016 MRDCI All Rights Reserved

APR-23



Request for Quote

Download and Auto Fill PDF

Name / Company _____

Phone _____ Email _____

Billing Address _____

City _____ State / Prov _____

ZIP / PCode _____

Ship to Address _____

City _____ State / Prov _____

ZIP / PCode _____

Product Code IPATTC104 Quantity _____

Material _____ A) ArchPolymer B) ArchPolymer Fire Rated
C) GRG-NeoPlaster D) GFRC-Zeament

Note: _____



Imperial Productions®

1-800-399-7585

Imperial Productions & Distribution Inc.

email sales@imperialproductions.com copyright 2016 MRDCI All Rights Reserved

MAY-25