

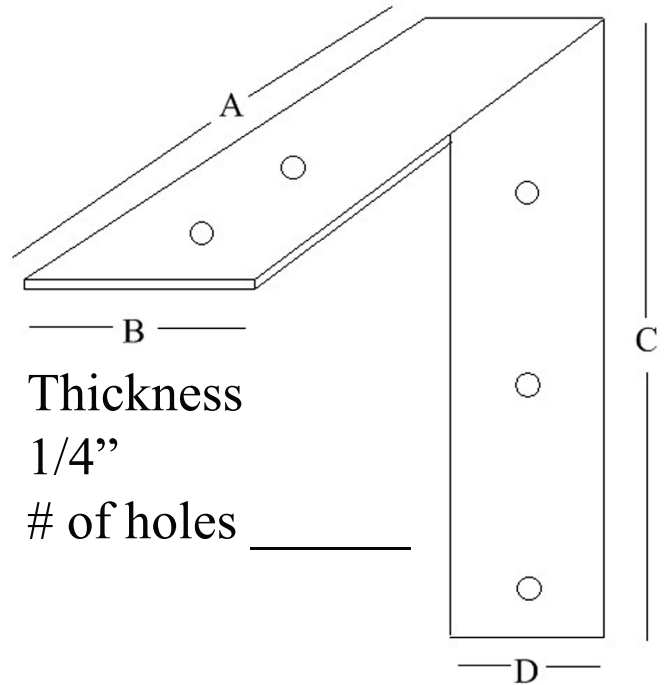
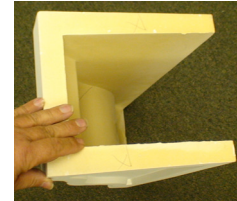


1/4" Steel Support Brackets for Countertops & Overhangs

Martin Richards Design
COLLECTION



Application:
Granite Countertops Overhangs
Cover with Hollow Brackets



Thickness

1/4"

of holes _____



Load
Bracket
behind a
Decorative
Corbel

Length A: _____

Length C: _____

Width B: _____

* For Load Application check with your structural engineer for suitability in your local area

* All specifications subject to change without notice, Final products & Measurements may vary from this brochure



www.imperialproductions.com 1-800-399-7585, 416-264-6096 Fax 416-264-6098

Imperial Productions & Distribution Inc Toronto / New York

email sales@imperialproductions.com copyright 2016 MRDCI All Rights Reserved

Spring 2018