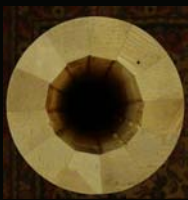


# Cylinders



**Hardwood  
Cylinders:**  
Smooth / Fluted  
Reeded

Wall thickness

FingerJointPine  
1-1/4" (3.17cm)

Hardwood  
1-1/2" (3.81cm)  
Custom Sizes



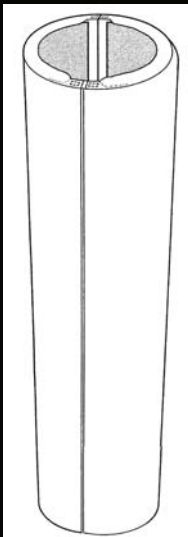
Smooth



Stainless Steel

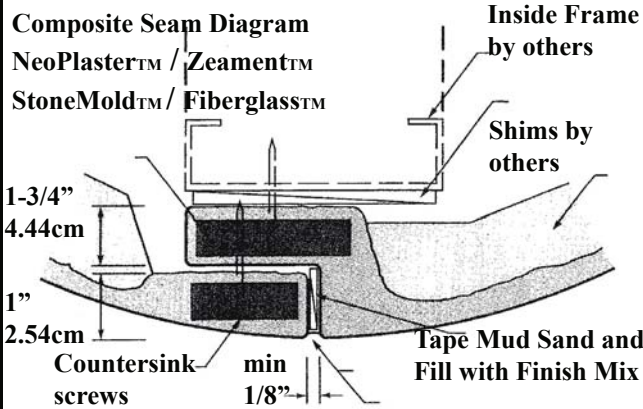


Fluted



Reeded

*Martin Richards Design.*  
COLLECTION



\* All specifications subject to change without notice

## UNFINISHED CYLINDERS

### 24 Hardwoods (Custom Sizes Interior/Exterior)

Hand Crafted Custom heights & diameters

Multi-Part Order Whole or Split for Pilaster / Post Wrap

Interior: Fingerjoint Pine (Paint only) wall thickness 1-1/4" (3.17cm)

Stain Grade: AmPoplar, Maple, Sap Maple, Basswood, Ash, Birch, Red Oak, White Oak, African Mahogany, S.American Mahogany, Beech, Alder, Cherry, Walnut Wall thickness 1-1/2" (3.81cm)

Exterior: White Pine, Knotty Pine, Clear Pine, Western Red Cedar

### ArchPolymer™ (Interior / Exterior Composite)

Hi-density polyurethane with consistency of white pine, primed white. Water, rot, insect resistant. Cuts like wood and can be split for post wrap or pilaster application. No customization.

### PolyComp™ (Load Bearing Interior/Exterior)

70% calcium carbonate, 5% marble chips, 25% Polyester Resins. Meets ASTM-E84 Fire rated. Order whole or split for post wrap or pilaster. No customization, cut to height.

## UNFINISHED COMPOSITES

### Fiberglass (FRP - Interior / Exterior Composite)

Gelcoat, polyester resin & glass fibers. Lite weight 2-3lbs / SqFoot. Good for earthquake and hurricane zones. Meets ASTM-E84 Fire rating. Water resistant for fountains & water displays. Mold in 2 pieces, Bondo seam. Can be customized or cut to height.

### NeoPlaster™ (GRG - Interior Composite)

Alpha gypsum, cement, water, re-enforced with glass fibers. Lite weight 2-3 lbs per square foot. Meets ASTM-E84 Fire rated. Odorless and emission free. Interior use only in dry areas. Made from a mold in 2 pieces, tape & mud seam. No customization, cut to height.

## FINISHED COMPOSITES

### Zeament™ Exterior Composite

Lite weight Portland cement, sand, alkali resistant fibers, aggregates, polymer adhesives & water. Smooth, internally pigmented 12 colors. Sandblasted for Stone look. Exterior Use, Hurricane, earthquake zones, can be submerged in water. Meets ASTM-E84 Fire rating. Oderless & emission free safe for indoor use. Made with natural raw materials can experience light variation in color and texture. Molded in 2 parts - Seam remains as a reveal.

### StoneMold™ Interior Composite

Molded stone: Alpha gypsum, pigment, aggregates, water & polymers. Looks like natural stone. Weight 2-5 lbs/Foot. Sealed with a clear finish. Made with natural raw materials and may experience slight variation in color and texture. Molded in 2 Parts - Seam remains as a reveal.



## STAINLESS STEEL

Interior Grade T304, Exterior Grade T316

Finish Brushed or Mirror 2 or 4 reveals for joins



[www.imperialproductions.com](http://www.imperialproductions.com) 800-399-7585 416-264-6097 Fax 416-264-6098

Imperial Productions & Distribution Inc  
email [sales@imperialproductions.com](mailto:sales@imperialproductions.com)

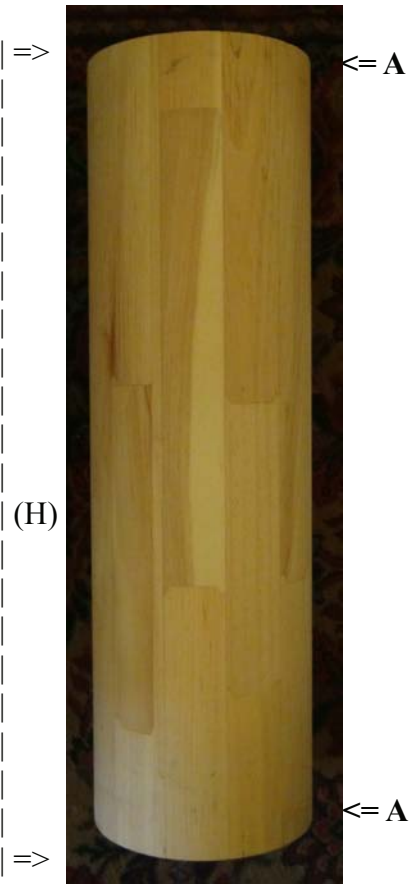
Toronto / New York

copyright 2016 MRDCI All Rights Reserved

Columns Page 10

Vol 7: Spring 2017

# CUSTOM: Cylinders Diameter from 4" to 36" (10.1 to 91.4cm)



A = Top & Bottom of Shaft  
Diameter: \_\_\_\_\_

Circle: Interior Exterior  
Smooth / Fluted / Reeded

Diameter: \_\_\_\_\_

How many  
Whole \_\_\_\_\_

Split for Post Wrap \_\_\_\_\_

Size of Post to Wrap \_\_\_\_\_

Engaged Cylinder  
1/2 Split \_\_\_\_\_  
(against wall)

3/4 Split for Inside Corner \_\_\_\_\_

H = Total Height  
\_\_\_\_\_

Materials:  
Load Bearing Cylinders  
a) PolyComposite made in 1 part

Decorative Cylinders  
b) Hardwood Type \_\_\_\_\_  
Diameters from 4" to 20"

c) ArchPolymer™ made in 2 parts

Unfinished: 2 parts with reveal  
Diameters from 4" to 36"

d) NeoPlaster™ (GRG)

e) Fiberglass (FRP)

Finished: 2 parts with reveal  
Diameters from 4" to 36"

f) Zeament™ # \_\_\_\_\_

g) StoneMold™ # \_\_\_\_\_

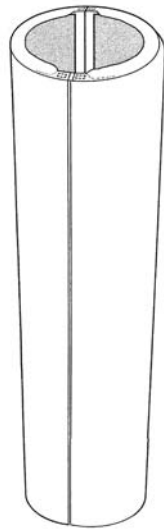
h) Stainless Steel  
Diameter = \_\_\_\_\_ to cover \_\_\_\_\_  
Interior Grade T4 or  
Exterior Grade T316  
Number of Reveals 2 or 4  
Finish: Brushed or Mirror



Fluted  
Concave



Reeded  
Convex



NeoPlaster™  
Zeament™ StoneMold™  
Stainless  
all have reveal



Company: \_\_\_\_\_

Ship to: \_\_\_\_\_

Email: \_\_\_\_\_

Phone \_\_\_\_\_

Martin Richards Design  
COLLECTION



# Standard Smooth Cylinders

ArchPolymer™ PolyComp™ Load Bearing, Decoratives= NeoPlaster™, Fiberglass StoneMold™, Zeament™, Stainless Steel

| 4 Feet (1.2m) | Material  | O/D          | I/D         | Load |
|---------------|-----------|--------------|-------------|------|
| IPCYL410P     | Hardwoods | 10" (25.4cm) | 7" (17.7cm) | No   |

| 5 Feet (1.5m) | Material  | O/D          | I/D         | Load |
|---------------|-----------|--------------|-------------|------|
| IPCYL510P     | Hardwoods | 10" (25.4cm) | 7" (17.7cm) | No   |

| 6 Feet (1.8m) | Material  | O/D          | I/D         | Load |
|---------------|-----------|--------------|-------------|------|
| IPCYL610P     | Hardwoods | 10" (25.4cm) | 7" (17.7cm) | No   |

| 7 Feet (2.1m) | Material    | O/D         | I/D           | Load |
|---------------|-------------|-------------|---------------|------|
| IPCYL0760     | Decoratives | 60" (1.52m) | 57" (144.7cm) | No   |

| 8 Feet (2.4m) | Material | O/D | I/D | Load |
|---------------|----------|-----|-----|------|
|---------------|----------|-----|-----|------|

|             |              |                |                 |           |
|-------------|--------------|----------------|-----------------|-----------|
| IPCYL0806   | Decoratives  | 6" (15.2cm)    | 3" (7.6cm)      | No        |
| IPCYL0806AP | ArchPolymer™ | 6" (15.2cm)    | 3-1/2" (8.8cm)  | No        |
| IPCYL0808PC | PolyComp™    | 7-5/8" (19.3)  | 6-7/8" (17.4)   | 10,000lbs |
| IPCYL0808   | Decoratives  | 8" (20.3cm)    | 5" (12.7cm)     | No        |
| IPCYL0808AP | ArchPolymer™ | 8" (20.3cm)    | 5-1/2" (8.8cm)  | No        |
| IPCYL0808P  | Hardwoods    | 8" (20.3cm)    | 5" (12.7cm)     | No        |
| IPCYL0810PC | PolyComp™    | 9-5/8" (24.4)  | 8-7/8" (22.4)   | 14,000lbs |
| IPCYL0810   | Decoratives  | 10" (25.4cm)   | 7" (17.7cm)     | No        |
| IPCYL810P   | Hardwoods    | 10" (25.4cm)   | 7" (17.7cm)     | No        |
| IPCYL0810AP | ArchPolymer™ | 10" (25.4cm)   | 7-1/2" (19cm)   | No        |
| IPCYL0812PC | PolyComp™    | 11-3/4" (29.8) | 11" (27.9)      | 18,000lbs |
| IPCYL0812   | Decoratives  | 12" (30.4cm)   | 9" (22.8cm)     | No        |
| IPCYL0812AP | ArchPolymer™ | 12" (30.4cm)   | 9-1/2" (24.1cm) | No        |
| IPCYL0813   | Decoratives  | 13" (33cm)     | 10" (25.4cm)    | No        |
| IPCYL0814PC | PolyComp™    | 13-3/4" (34.9) | 13" (33cm)      | 20,000lbs |
| IPCYL0814   | Decoratives  | 14" (33cm)     | 11" (27.9cm)    | No        |
| IPCYL0814AP | ArchPolymer™ | 14-1/8" (35.8) | 11-1/8" (28.2)  | No        |
| IPCYL0815   | Decoratives  | 15" (38.1cm)   | 12" (30.4cm)    | No        |
| IPCYL0816PC | PolyComp™    | 15-3/4" (40)   | 12-3/4" (32)    | 20,000lbs |
| IPCYL0816   | Decoratives  | 16" (40.6cm)   | 13" (33cm)      | No        |
| IPCYL0818PC | PolyComp™    | 17-5/8" (44.7) | 16-5/8" (42)    | 20,000lbs |
| IPCYL0818   | Decoratives  | 18" (45.7cm)   | 15" (38.1cm)    | No        |
| IPCYL0819   | Decoratives  | 19" (48.2cm)   | 16" (40.6cm)    | No        |
| IPCYL0820   | Decoratives  | 20" (50.8cm)   | 17" (43.1cm)    | No        |
| IPCYL0821   | Decoratives  | 21" (53.3cm)   | 18" (45.7cm)    | No        |
| IPCYL0822   | Decoratives  | 22" (55.8cm)   | 19" (48.2cm)    | No        |
| IPCYL0823   | Decoratives  | 23" (58.4cm)   | 20" (50.8cm)    | No        |
| IPCYL0824   | Decoratives  | 24" (60.9cm)   | 21" (53.3cm)    | No        |
| IPCYL0826   | Decoratives  | 26" (66cm)     | 23" (58.4cm)    | No        |
| IPCYL0827   | Decoratives  | 27" (68.5cm)   | 24" (60.9cm)    | No        |
| IPCYL0828   | Decoratives  | 28" (71.1cm)   | 25" (63.5cm)    | No        |
| IPCYL0829   | Decoratives  | 29" (73.6cm)   | 26" (66cm)      | No        |
| IPCYL0830   | Decoratives  | 30" (76.2cm)   | 27" (68.5cm)    | No        |
| IPCYL0832   | Decoratives  | 32" (76.2cm)   | 29" (73.6cm)    | No        |
| IPCYL0833   | Decoratives  | 33" (83.8cm)   | 30" (76.2cm)    | No        |
| IPCYL0834   | Decoratives  | 34" (86.3cm)   | 31" (78.7cm)    | No        |
| IPCYL0835   | Decoratives  | 35" (88.9cm)   | 32" (81.2cm)    | No        |
| IPCYL0836   | Decoratives  | 36" (91.4cm)   | 33" (83.8cm)    | No        |
| IPCYL0838   | Decoratives  | 38" (96.5cm)   | 35" (88.9cm)    | No        |
| IPCYL0840   | Decoratives  | 40" (101.6cm)  | 37" (93.9cm)    | No        |
| IPCYL0842   | Decoratives  | 42" (106.6cm)  | 39" (99cm)      | No        |
| IPCYL0844   | Decoratives  | 44" (111.7cm)  | 41" (104cm)     | No        |
| IPCYL0848   | Decoratives  | 48" (121.9cm)  | 45" (114.3cm)   | No        |
| IPCYL0864   | Decoratives  | 64" (162.5cm)  | 61" (154.9cm)   | No        |

\* All prices & specifications subject to change without notice

| 9 Feet (2.74m) | Material    | O/D            | I/D            | Load       |
|----------------|-------------|----------------|----------------|------------|
| IPCYL0906      | Decoratives | 6" (15.2cm)    | 3" (7.62cm)    | No         |
| IPCYL0908PC    | PolyComp™   | 7-5/8" (19.3)  | 6-7/8" (17.4)  | 10,000 lbs |
| IPCYL0908      | Decoratives | 8" (20.3cm)    | 5" (12.7cm)    | No         |
| IPCYL0910PC    | PolyComp™   | 9-5/8" (24.4)  | 8-7/8" (22.4)  | 14,000 lbs |
| IPCYL0912PC    | PolyComp™   | 11-3/4" (29.8) | 11" (27.9cm)   | 18,000 lbs |
| IPCYL0914PC    | PolyComp™   | 13-3/4" (34.9) | 13" (33cm)     | 20,000 lbs |
| IPCYL0916PC    | PolyComp™   | 15-3/4" (40)   | 12-3/4" (32.3) | 20,000 lbs |
| IPCYL0918PC    | PolyComp™   | 17-5/8" (44.7) | 16-5/8" (42)   | 20,000 lbs |
| IPCYL0920PC    | PolyComp™   | 19-7/8" (50.4) | 18-7/8" (47.9) | 20,000 lbs |
| IPCYL0924PC    | PolyComp™   | 23-7/8" (60.6) | 22-7/8" (58.1) | 20,000 lbs |
| IPCYL0926      | Decoratives | 26" (66cm)     | 23" (58.4cm)   | No         |
| IPCYL0928      | Decoratives | 28" (71.12cm)  | 25" (63.5cm)   | No         |
| IPCYL0930      | Decoratives | 30" (76.2cm)   | 27" (68.5cm)   | No         |
| IPCYL0950      | Decoratives | 50" (127cm)    | 47" (11.9cm)   | No         |
| IPCYL0952      | Decoratives | 52" (132cm)    | 49" (124.4cm)  | No         |
| IPCYL0964      | Decoratives | 64" (162.5cm)  | 61" (15.4cm)   | No         |

| 10 Feet (3.04m) | Material     | O/D            | I/D              | Load       |
|-----------------|--------------|----------------|------------------|------------|
| IPCYL1006       | Decoratives  | 6" (15.2cm)    | 3" (7.62cm)      | No         |
| IPCYL1006AP     | ArchPolymer™ | 6" (15.2cm)    | 3-1/2" (8.8cm)   | No         |
| IPCYL1008       | Decoratives  | 8" (20.3cm)    | 5" (12.7cm)      | No         |
| IPCYL1008PC     | PolyComp™    | 7-5/8" (19.3)  | 6-7/8" (17.4)    | 10,000 lbs |
| IPCYL1008AP     | ArchPolymer™ | 8" (20.3cm)    | 5-1/2" (8.8cm)   | No         |
| IPCYL1010       | Decoratives  | 8" (20.3cm)    | 7" (17.7cm)      | No         |
| IPCYL1010PC     | PolyComp™    | 9-5/8" (24.4)  | 8-7/8" (22.4)    | 14,000 lbs |
| IPCYL1010AP     | ArchPolymer™ | 10" (25.4)     | 7-1/2" (19cm)    | No         |
| IPCYL1012PC     | PolyComp™    | 11-3/4" (29.8) | 11" (27.9cm)     | 18,000 lbs |
| IPCYL1012       | Decoratives  | 12" (30.4cm)   | 9" (22.8cm)      | No         |
| IPCYL1012AP     | ArchPolymer™ | 12" (30.4cm)   | 9-1/2" (24.1)    | No         |
| IPCYL1013       | Decoratives  | 13" (33cm)     | 10" (25.4cm)     | No         |
| IPCYL1014PC     | PolyComp™    | 13-3/4" (34.9) | 13" (33cm)       | 20,000 lbs |
| IPCYL1014       | Decoratives  | 14" (33cm)     | 11" (27.9)       | No         |
| IPCYL1014AP     | ArchPolymer™ | 14-1/8" (35.8) | 11-1/8" (28.2cm) | No         |
| IPCYL1015       | Decoratives  | 15" (38.1cm)   | 12" (30.48cm)    | No         |
| IPCYL1016       | Decoratives  | 16" (40.6cm)   | 13" (33cm)       | No         |
| IPCYL1018       | Decoratives  | 18" (45.7cm)   | 15" (38.1cm)     | No         |
| IPCYL1019       | Decoratives  | 19" (48.2cm)   | 16" (40.6cm)     | No         |
| IPCYL1020       | Decoratives  | 20" (50.8cm)   | 17" (43.1cm)     | No         |
| IPCYL1020PC     | PolyComp™    | 20" (50.8cm)   | 17" (43.1)       | 20,000 lbs |
| IPCYL1021       | Decoratives  | 21" (53.3cm)   | 18" (45.7cm)     | No         |
| IPCYL1022       | Decoratives  | 22" (55.8cm)   | 19" (48.2cm)     | No         |
| IPCYL1023       | Decoratives  | 23" (58.4cm)   | 20" (50.8cm)     | No         |
| IPCYL1024       | Decoratives  | 24" (60.9cm)   | 21" (53.3cm)     | No         |
| IPCYL1026       | Decoratives  | 26" (66cm)     | 23" (58.4cm)     | No         |
| IPCYL1027       | Decoratives  | 27" (68.5cm)   | 24" (60.9cm)     | No         |
| IPCYL1028       | Decoratives  | 28" (71.1cm)   | 25" (63.5cm)     | No         |
| IPCYL1029       | Decoratives  | 29" (73.6cm)   | 26" (66cm)       | No         |
| IPCYL1030       | Decoratives  | 30" (76.2cm)   | 27" (68.58cm)    | No         |
| IPCYL1032       | Decoratives  | 32" (76.2cm)   | 29" (73.6cm)     | No         |
| IPCYL1033       | Decoratives  | 33" (83.8cm)   | 30" (76.2cm)     | No         |
| IPCYL1034       | Decoratives  | 34" (86.3cm)   | 31" (78.7cm)     | No         |
| IPCYL1035       | Decoratives  | 35" (88.9cm)   | 32" (81.2cm)     | No         |
| IPCYL1036       | Decoratives  | 36" (91.4cm)   | 33" (83.8cm)     | No         |
| IPCYL1038       | Decoratives  | 38" (96.5cm)   | 35" (88.9cm)     | No         |
| IPCYL1040       | Decoratives  | 40" (101.6cm)  | 37" (93.9cm)     | No         |
| IPCYL1042       | Decoratives  | 42" (106.6cm)  | 39" (99cm)       | No         |
| IPCYL1044       | Decoratives  | 44" (111.7cm)  | 41" (104cm)      | No         |
| IPCYL1048       | Decoratives  | 48" (121.9cm)  | 45" (114.3cm)    | No         |
| IPCYL1064       | Decoratives  | 64" (162.5cm)  | 61" (154.9cm)    | No         |



www.imperialproductions.com

Imperial Productions & Distribution Inc  
email sales@imperialproductions.com

800-399-7585 416-264-6097 Fax 416-264-6098

Toronto / New York

copyright 2016 MRDCI All Rights Reserved

Columns Page 12

Vol 7: Spring 2017

## Standard Smooth Cylinders

| 12 Feet (3.65m) | Material     | O/D            | I/D             | Load lbs |
|-----------------|--------------|----------------|-----------------|----------|
| IPCYL1206       | Decoratives  | 6" (15.2cm)    | 3" (7.62cm)     |          |
| IPCYL1206AP     | ArchPolymer™ | 6" (15.2cm)    | 3-1/2" (8.8cm)  |          |
| IPCYL1208       | Decoratives  | 8" (20.3cm)    | 5" (12.7cm)     |          |
| IPCYL1208AP     | ArchPolymer™ | 8" (20.3cm)    | 5-1/2" (8.8cm)  |          |
| IPCYL1210       | Decoratives  | 8" (20.3cm)    | 7" (17.7cm)     |          |
| IPCYL1210PC     | PolyComp™    | 9-5/8"(24.4)   | 8-7/8"(22.4)    | 14,000   |
| IPCYL1210AP     | ArchPolymer™ | 10" (25.4cm)   | 7-1/2" (19cm)   |          |
| IPCYL1212PC     | PolyComp™    | 11-3/4"(29.8)  | 11"(27.9)       | 18,000   |
| IPCYL1212       | Decoratives  | 12" (30.4cm)   | 9" (22.8cm)     |          |
| IPCYL1212AP     | ArchPolymer™ | 12" (30.4cm)   | 9-1/2" (24.1cm) |          |
| IPCYL1213       | Decoratives  | 13" (33cm)     | 10" (25.4cm)    |          |
| IPCYL1214PC     | PolyComp™    | 13-3/4" (34.9) | 13" (33cm)      | 20,000   |
| IPCYL1214       | Decoratives  | 14" (33cm)     | 11" (27.9cm)    |          |
| IPCYL1214AP     | ArchPolymer™ | 14-1/8" (35.8) | 11-1/8" (28.2)  |          |
| IPCYL1216       | Decoratives  | 16" (40.6cm)   | 13" (33cm)      |          |
| IPCYL1218       | Decoratives  | 18" (45.7cm)   | 15" (38.1cm)    |          |
| IPCYL1220       | Decoratives  | 20" (50.8cm)   | 17" (43.1cm)    |          |
| IPCYL1221       | Decoratives  | 21" (53.3cm)   | 18" (45.7cm)    |          |
| IPCYL1222       | Decoratives  | 22" (55.8cm)   | 19" (48.2cm)    |          |
| IPCYL1223       | Decoratives  | 23" (58.4cm)   | 20" (50.8cm)    |          |
| IPCYL1224       | Decoratives  | 24" (60.9cm)   | 21" (53.3cm)    |          |
| IPCYL1226       | Decoratives  | 26" (66cm)     | 23" (58.4cm)    |          |
| IPCYL1227       | Decoratives  | 27" (68.5cm)   | 24" (60.9cm)    |          |
| IPCYL1228       | Decoratives  | 28" (71.12cm)  | 25" (63.5cm)    |          |
| IPCYL1229       | Decoratives  | 29" (73.6cm)   | 26" (66cm)      |          |
| IPCYL1230       | Decoratives  | 30" (76.2cm)   | 27" (68.58cm)   |          |
| IPCYL1232       | Decoratives  | 32" (76.2cm)   | 29" (73.6cm)    |          |
| IPCYL1233       | Decoratives  | 33" (83.8cm)   | 30" (76.2cm)    |          |
| IPCYL1234       | Decoratives  | 34" (86.3cm)   | 31" (78.7cm)    |          |
| IPCYL1235       | Decoratives  | 35" (88.9cm)   | 32" (81.2cm)    |          |
| IPCYL1236       | Decoratives  | 36" (91.44cm)  | 33" (83.82cm)   |          |

| 14 Feet (4.267m) | Material  | O/D            | I/D        | Load lbs |
|------------------|-----------|----------------|------------|----------|
| IPCYL1412PC      | PolyComp™ | 11-3/4" (29.8) | 11" (27.9) | 18,000   |
| IPCYL1414PC      | PolyComp™ | 13-3/4" (34.9) | 13" (33)   | 20,000   |

| 16 Feet (4.87m) | Material  | O/D            | I/D        | Load lbs |
|-----------------|-----------|----------------|------------|----------|
| IPCYL1612PC     | PolyComp™ | 11-3/4" (29.8) | 11" (27.9) | 18,000   |
| IPCYL1614PC     | PolyComp™ | 13-3/4" (34.9) | 13" (33)   | 20,000   |

## Standard Fluted Cylinders

| 4 Feet (1.2m) | Material  | O/D          | I/D         |
|---------------|-----------|--------------|-------------|
| IPCYL406F12   | Hardwoods | 6" (15.2cm)  | 3" (7.62cm) |
| IPCYL408F12   | Hardwoods | 8" (20.3cm)  | 5" (12.7cm) |
| IPCYL410F12   | Hardwoods | 10" (25.4cm) | 7" (17.7cm) |

| 5 Feet (1.5m) | Material  | O/D          | I/D         |
|---------------|-----------|--------------|-------------|
| IPCYL508F12   | Hardwoods | 8" (20.3cm)  | 5" (12.7cm) |
| IPCYL510F12   | Hardwoods | 10" (25.4cm) | 7" (17.7cm) |

| 6 Feet (1.8m) | Material  | O/D          | I/D         |
|---------------|-----------|--------------|-------------|
| IPCYL608F12   | Hardwoods | 8" (20.3cm)  | 5" (12.7cm) |
| IPCYL610F12   | Hardwoods | 10" (25.4cm) | 7" (17.7cm) |

| 8 Feet (2.4m) | Material     | O/D            | I/D            | Load |
|---------------|--------------|----------------|----------------|------|
| IPCYL808F12   | Hardwoods    | 8" (20.3cm)    | 5" (12.7cm)    | No   |
| IPCYL0808FAP  | ArchPolymer™ | 8-1/8"(20.6)   | 5-1/8"(13cm)   | No   |
| IPCYL810F12   | Hardwoods    | 10" (25.4cm)   | 7" (17.7cm)    | No   |
| IPCYL0810FAP  | ArchPolymer™ | 9-7/8" (25cm)  | 7-3/8" (18.7)  | No   |
| IPCYL0812FAP  | ArchPolymer™ | 11-7/8" (30cm) | 9-3/8" (23.8)  | No   |
| IPCYL0814FAP  | ArchPolymer™ | 14-1/8" (35.8) | 11-1/8" (28.2) | No   |

| 9 Feet (2.74m) | Material  | O/D          | I/D         | Load |
|----------------|-----------|--------------|-------------|------|
| IPCYL908F12    | Hardwoods | 8" (20.3cm)  | 5" (12.7cm) | No   |
| IPCYL910F12    | Hardwoods | 10" (25.4cm) | 7" (17.7cm) | No   |

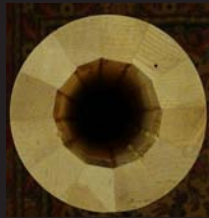
| 10 Feet (3.04m) | Material     | O/D           | I/D              | Load |
|-----------------|--------------|---------------|------------------|------|
| IPCYL1008FAP    | ArchPolymer™ | 8" (20.3cm)   | 5-1/2" (8.89cm)  | No   |
| IPCYL1010FAP    | ArchPolymer™ | 9-7/8" (25)   | 7-3/8" (18.7cm)  | No   |
| IPCYL1012FAP    | ArchPolymer™ | 11-7/8"(30)   | 9-3/8" (23.8cm)  | No   |
| IPCYL1014FAP    | ArchPolymer™ | 14-1/8"(35.8) | 11-1/8" (28.2cm) | No   |

| 12 Feet (3.65m) | Material     | O/D           | I/D              | Load |
|-----------------|--------------|---------------|------------------|------|
| IPCYL1208FAP    | ArchPolymer™ | 8" (20.3cm)   | 5-1/2" (8.89cm)  | No   |
| IPCYL1210FAP    | ArchPolymer™ | 9-7/8"(25)    | 7-3/8" (18.7cm)  | No   |
| IPCYL1212FAP    | ArchPolymer™ | 11-7/8"(30)   | 9-3/8" (23.8cm)  | No   |
| IPCYL1214FAP    | ArchPolymer™ | 14-1/8"(35.8) | 11-1/8" (28.2cm) | No   |
| IPCYL1216F      | Decoratives  | 16" (40.6cm)  | 13" (33cm)       | No   |
| IPCYL1222F      | Decoratives  | 22" (55.8cm)  | 19" (48.2cm)     | No   |
| IPCYL1230F      | Decoratives  | 30" (76.2cm)  | 27" (68.58cm)    | No   |

## Custom Reeded Cylinders



Provide Measurements for a Quote



Martin Richards Design  
a div of Martin Richards Design & Contracting Inc.

Brochures on-line @ [architectural-source.com](http://architectural-source.com)

\* For load bearing columns confirm with your structural engineer  
\* All prices & specifications subject to change without notice, Final products & Measurements may vary from this brochure